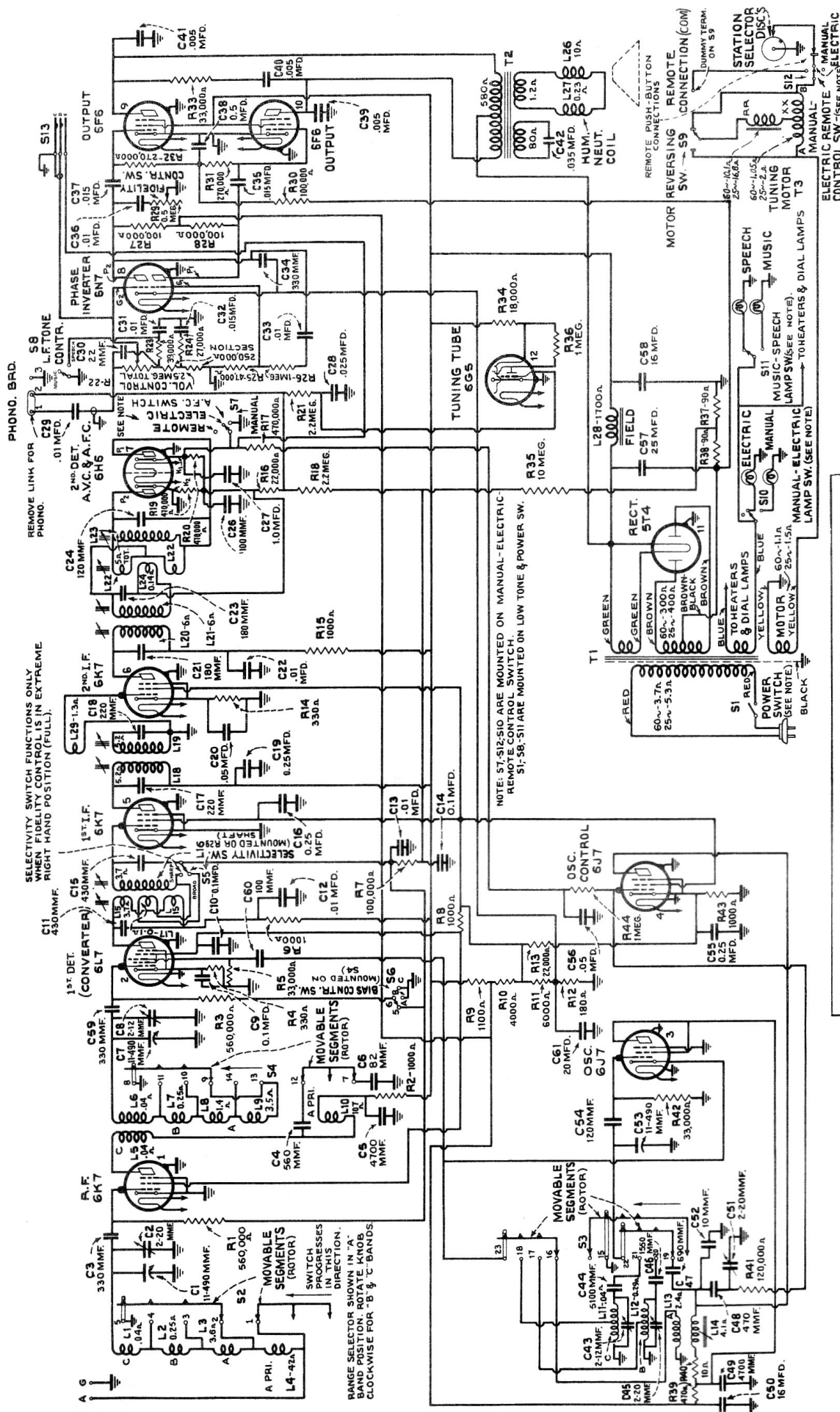


Model 812K A.C. Receiver



ALIGNMENT PROCEDURE

- Oscillator (A) 600 K.C., 1500 K.C.
 - Oscillator (B) 6,000 K.C.
 - R.F., Det. & Osc. (C) 20,000 K.C.
 - Intermediate Frequency 460 K.C.
- Peak all stages.
- Note:—Alignment of Band (C) R.F. & Det. stages must be accurate as Bands (A & B) R.F. & Det. stages depend solely upon this adjustment.