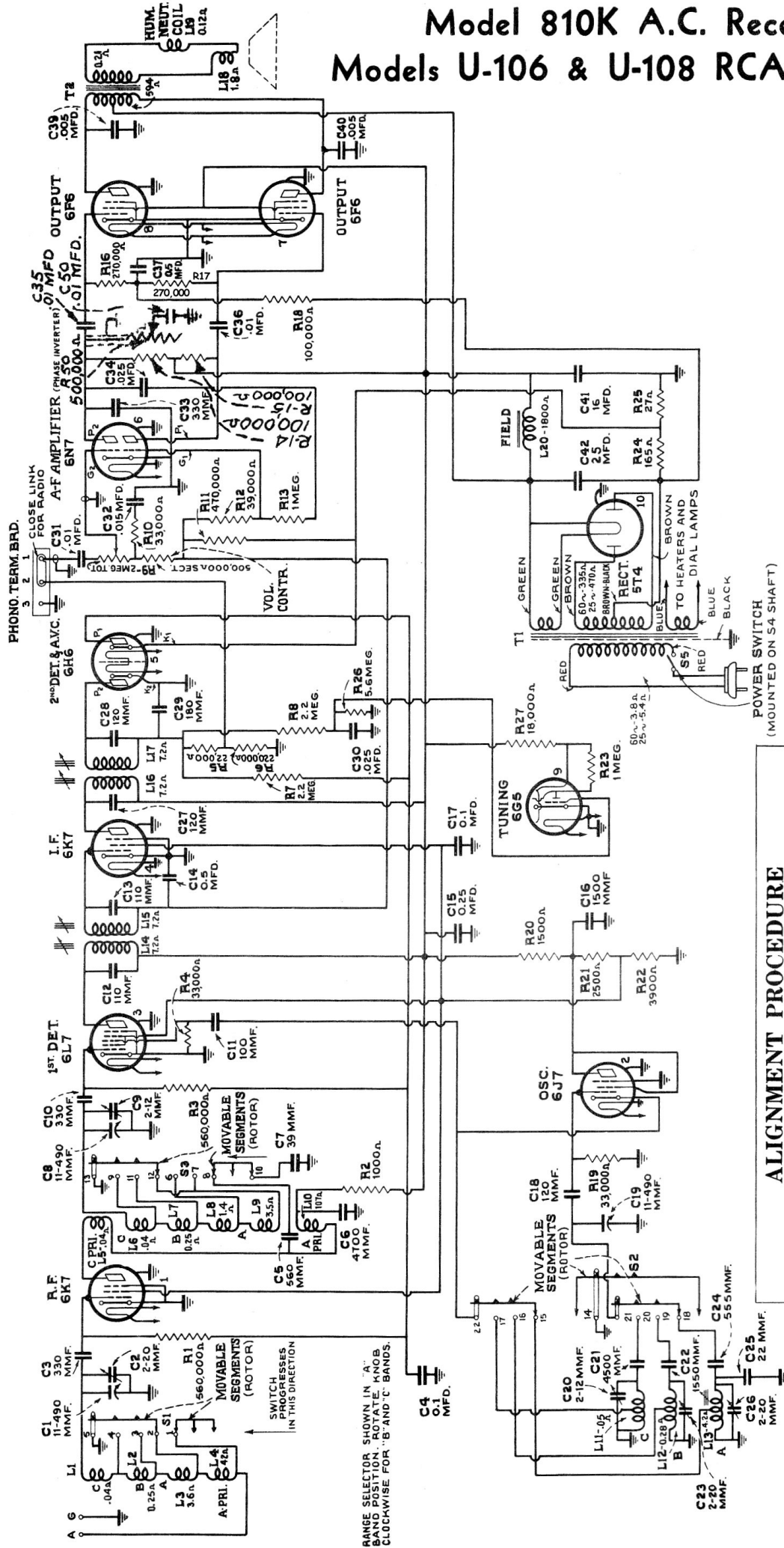


Model 810K A.C. Receiver Models U-106 & U-108 RCA Victorlas



ALIGNMENT PROCEDURE

Oscillator (A) 600 K.C., 1500 K.C.
Oscillator (B) 6,000 K.C.
R.F., Det. & Osc. (C) 20,000 K.C.
Intermediate Frequency 460 K.C.
Peak all stages.

Note:—Alignment of Band (C) R.F. & Det. stages must be accurate as Bands (A & B) R.F. & Det. stages depend solely upon this adjustment.

RANGE SELECTOR SHOWN IN "A" BAND POSITION. ROTATE KNOB CLOCKWISE FOR "B" AND "C" BANDS.