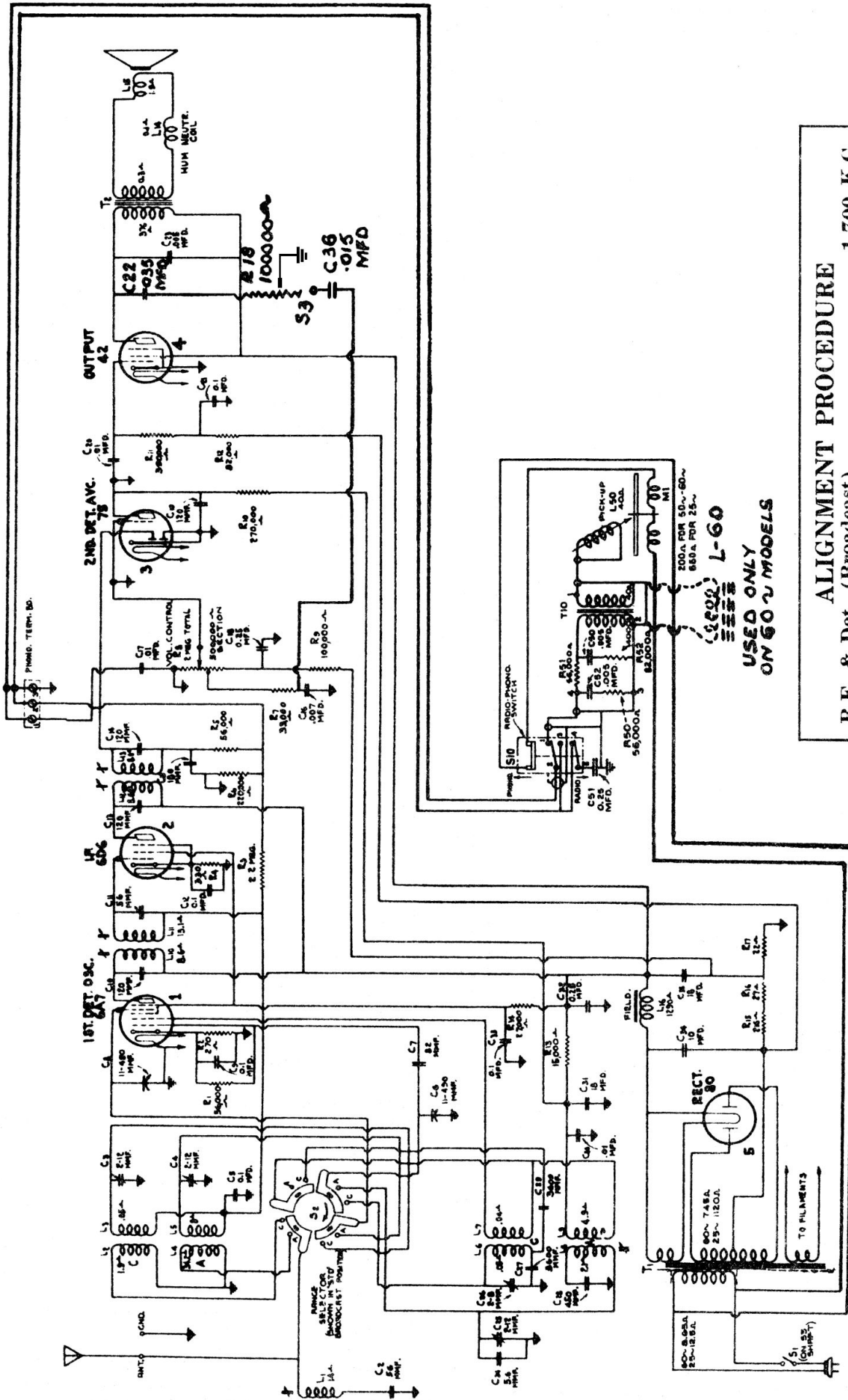


# Models 5T-5 & 5K-2 A.C. Receivers

## Model 5U RCA Victrola



**ALIGNMENT PROCEDURE**

R.F. & Det. (Broadcast) ..... 1,700 K.C.  
R.F. & Det. (S.W.) ..... 18,000 K.C.  
Oscillator (Broadcast) ..... 600 K.C., 1,700 K.C.  
Oscillator (S.W.) ..... 18,000 K.C.  
Intermediate Frequency ..... 460 K.C.

Align all R.F. stages for maximum peak.  
Align I.F. stages by means of oscillograph.

**L-60**  
**USED ONLY ON 5U MODELS**