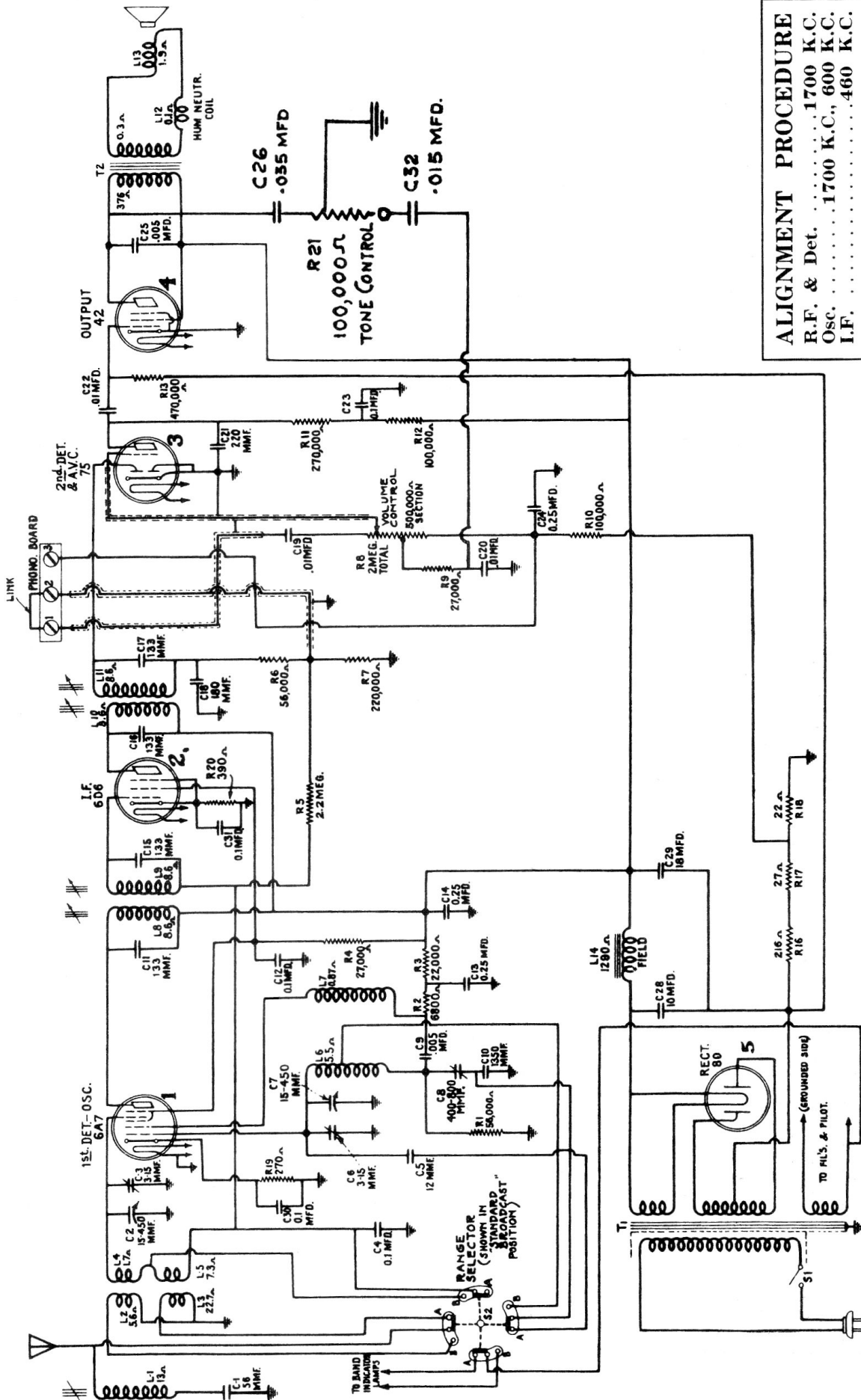


Models 5T-3 & 5K-1 A.C. Receivers



ALIGNMENT PROCEDURE
 R.F. & Det.1700 K.C.
 Osc.1700 K.C., 600 K.C.
 I.F.460 K.C.