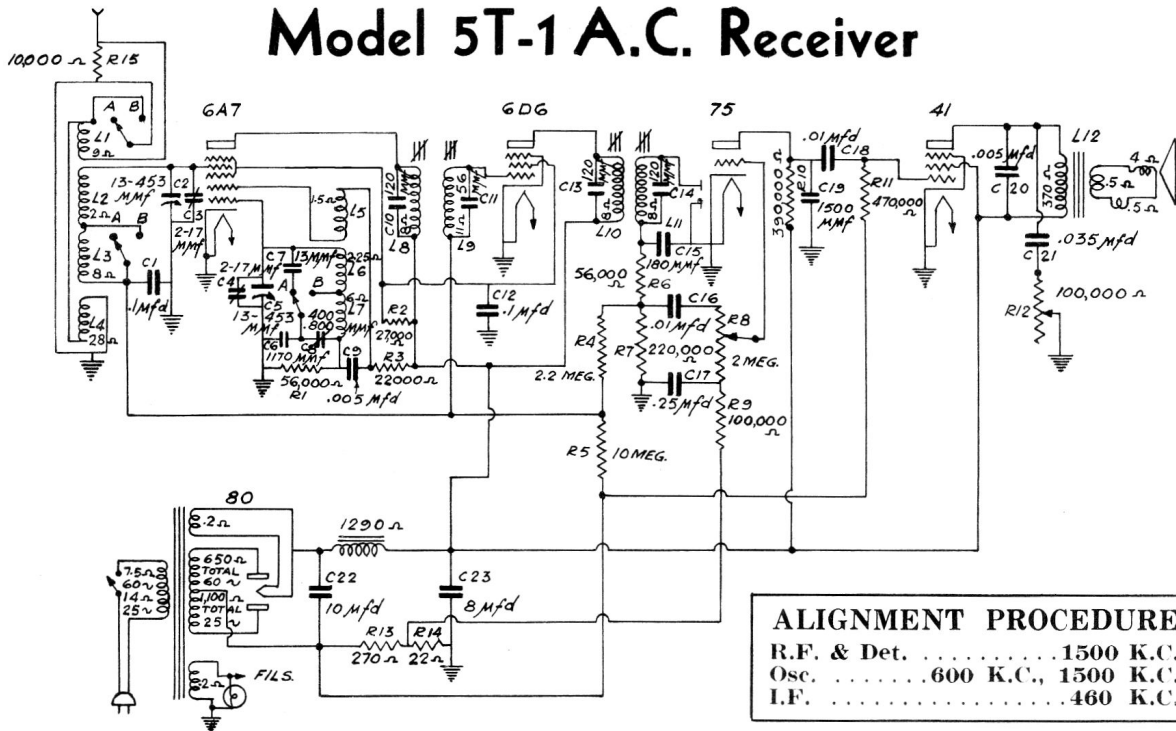


# Model 5T-1 A.C. Receiver



**ALIGNMENT PROCEDURE**  
 R.F. & Det. .... 1500 K.C.  
 Osc. .... 600 K.C., 1500 K.C.  
 I.F. .... 460 K.C.

## REPLACEMENT PARTS

Insist on genuine factory tested parts, which are readily identified and may be purchased from authorized dealers.

STOCK No.	DESCRIPTION	STOCK No.	DESCRIPTION
<b>RECEIVER ASSEMBLIES</b>			
12118	Cap-Grid contact cap-	S-1536	Resistor-2.2 meg. carbon type, 1/4 watt (R4).....
11465	Capacitor-Adjustable capacitor (C8).	13601	Resistor-10 meg.-insulated, 1/4 watt (R5).....
12659	Capacitor-13 Mmfd. (C7).....	12607	Shield-First I.F. transformer shield top.....
12629	Capacitor-56 Mmfd. (C11).....	12008	Shield-I.F. transformer shield.....
12404	Capacitor-120 Mmfd. (C10, C13, C14)....	12581	Shield-Second I.F. transformer shield top.....
12406	Capacitor-180 Mmfd. (C15).....	12218	Shield-6A7 radiotron shield complete
S-1678	Capacitor-1170 Mfd. (C6).....	11265	Shield-6D6 radiotron shield complete
13762	Capacitor-1500 Mmfd. (C19).....	4794	Socket-4-contact 80 radiotron socket
4868	Capacitor-.005 Mfd. (C9, C20).....	4786	Socket-6-contact 6D6, 41 or 75 radiotron socket.....
4883	Capacitor-.01 Mfd. (C16, C18).....	4787	Socket-7-contact 6A7 Radiotron socket.....
4791	Capacitor-.1 Mfd. (C1, C12).....	S-1686	Socket-Dial lamp socket.....
S-1592	Capacitor-.25 Mfd. (C17).....	12007	Spring-Retaining spring for Stock Nos. 12006 and 12664-
12670	Capacitor-.035 Mfd. (C21).....	12647	Switch-Range switch.....
S-1679	Capacitor-8 Mfd. (C23).....	S-1687	Switch-Tone control and power switch (R12).....
11203	Capacitor-10 Mfd. (C22).....	12801	Transformer-First I.F. transformer complete (L8, L9, C10, C11).....
12495	Coil-Antenna coil (L1, L2, L3, L4).....	12653	Transformer-Second I.F. transformer complete (L10, L11, C13, C14, C15, R6).
12496	Coil-Oscillator coil (L5, L6, L7).....	S-1665	Transformer-Power Transformer, 105-125 volts, 50-60 cycles.....
S-1680	Condenser-2-gang variable tuning condenser (C2, C3, C4, C5).....	S-1666	Transformer-Power Transformer, 105-125 volts, 25-60 cycles.....
12006	Core-Adjustable core and stud for Stock Nos. 12653 and 12801.....	S-1688	Volume control (R8).....
S-1681	Dial-Station selector dial.....	<b>REPRODUCER ASSEMBLIES</b>	
S-1682	Drive-Vernier drive for variable condenser.....	S-1677	Cone-Reproducer cone.....
S-1683	Indicator-Station selector indicator pointer.....	S-1676	Transformer-Output transformer (L12)
5226	Lamp-Dial lamp-6.3 volts-	S-1675	Reproducer-Complete.....
S-1684	Resistor-22 ohm-insulated, 1/4 watt (R14).....	<b>MISCELLANEOUS ASSEMBLIES</b>	
13675	Resistor-270 ohm-carbon type, 1 watt (R13).....	S-1664	Indoor Antenna.....
13302	Resistor-10,000 ohms-carbon type, 1/10 watt (R15).....	12700	Knobs-Station selector knobs.....
8070	Resistor-22,000 ohms-carbon type, 1/2 watt (R3).....	11347	Knobs-Volume control, tone control and range switch knobs-
12011	Resistor-27,000 ohms-carbon type, 1 watt (R2).....	11349	Spring-Retaining spring for knobs, Stock Nos. 11347 and 12700-
11282	Resistor-56,000 ohms-carbon type, 1/10 watt (R6).....		
5029	Resistor-56,000 ohms-carbon type, 1/4 watt (R1).....		
5145	Resistor-100,000 ohms-carbon type, 1/4 watt (R9).....		
11398	Resistor-220,000 ohms-carbon type, 1/10 watt (R7).....		
S-1685	Resistor-390,000 ohms-insulated, 1/4 watt (R10).....		
S-1690	Resistor-470,000 ohms-insulated, 1/4 watt (R11).....		