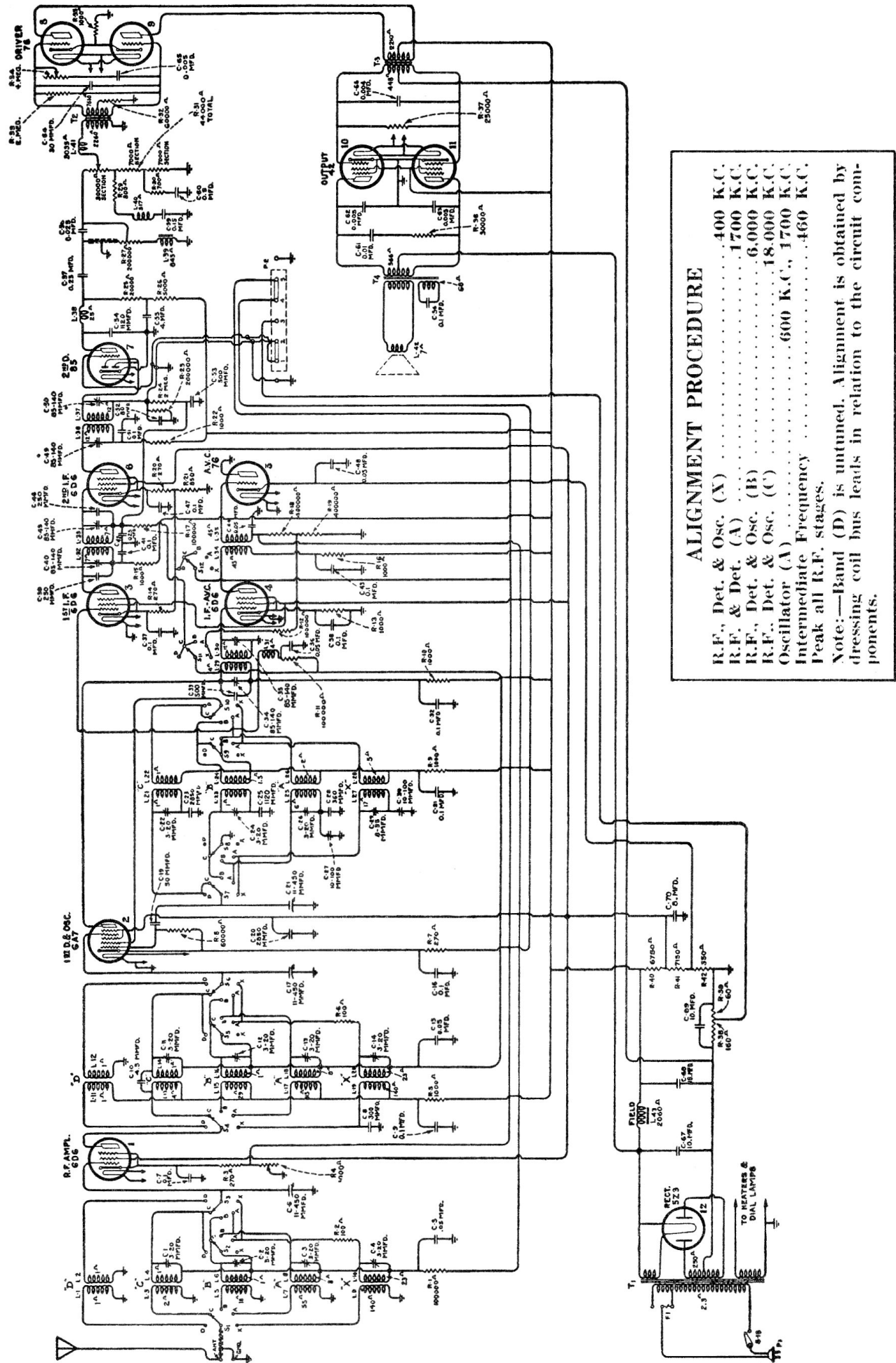


Model 281 A.C. Receiver



ALIGNMENT PROCEDURE

- R.F., Det. & Osc. (A)400 K.C.
- R.F., Det. & Osc. (B)1700 K.C.
- R.F., Det. & Osc. (C)6,000 K.C.
- Oscillator (A)18,000 K.C.
- Intermediate Frequency600 K.C., 1700 K.C., 460 K.C.

Note:—Band (D) is untuned. Alignment is obtained by dressing coil bus leads in relation to the circuit components.