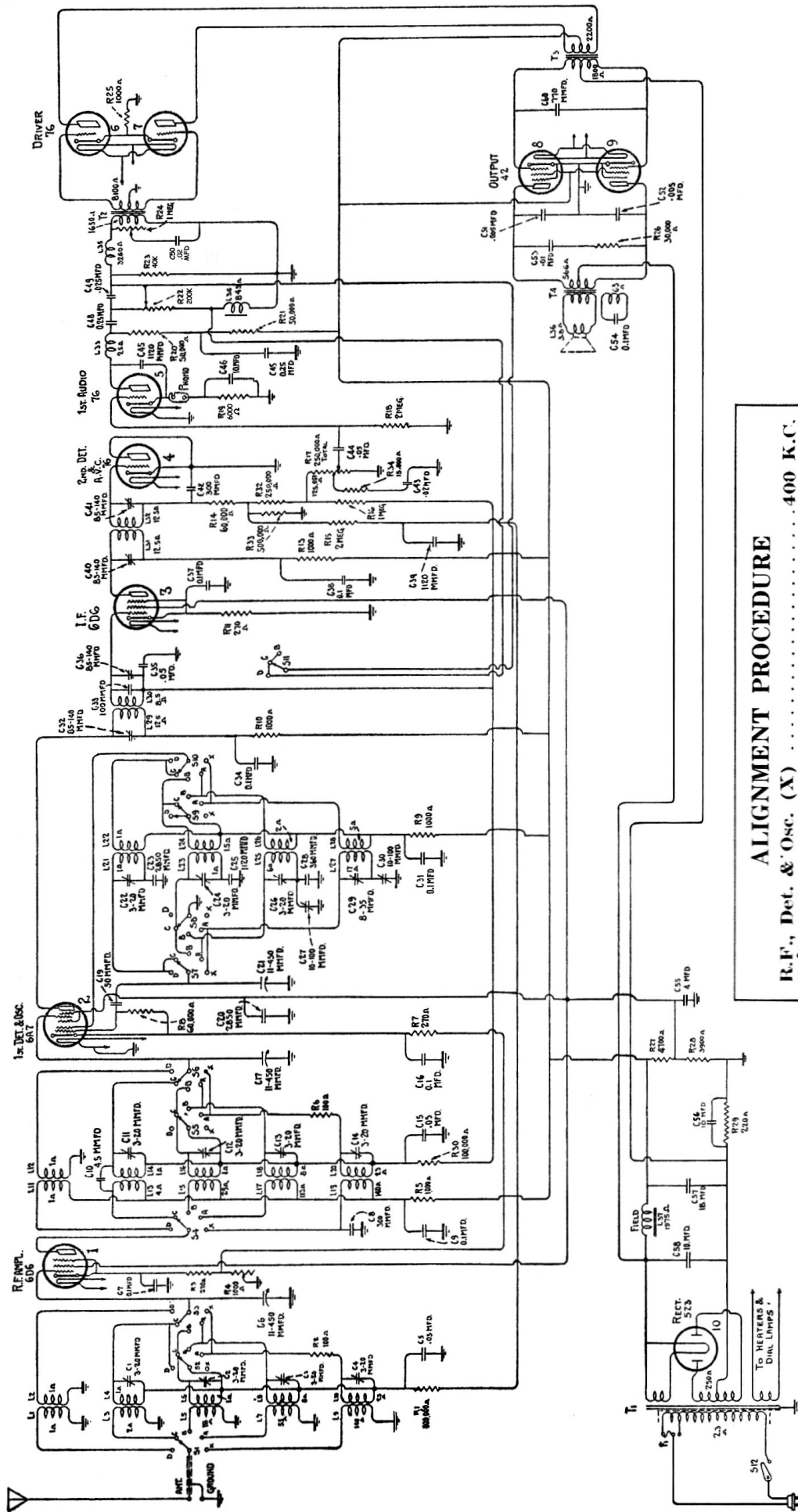


# Model 262 A.C. Receiver



**ALIGNMENT PROCEDURE**

R.F., Det. & Osc. (X) ..... 400 K.C.  
 R.F., Det. (A) ..... 1700 K.C.  
 R.F., Det. & Osc. (B) ..... 6,000 K.C.  
 R.F., Det. & Osc. (C) ..... 18,000 K.C.  
 Oscillator (A) ..... 600 K.C., 1700 K.C.  
 Intermediate Frequency ..... 460 K.C.

Note:—Band (D) is untuned. Alignment is obtained by dressing coil bus leads in relation to the circuit components.