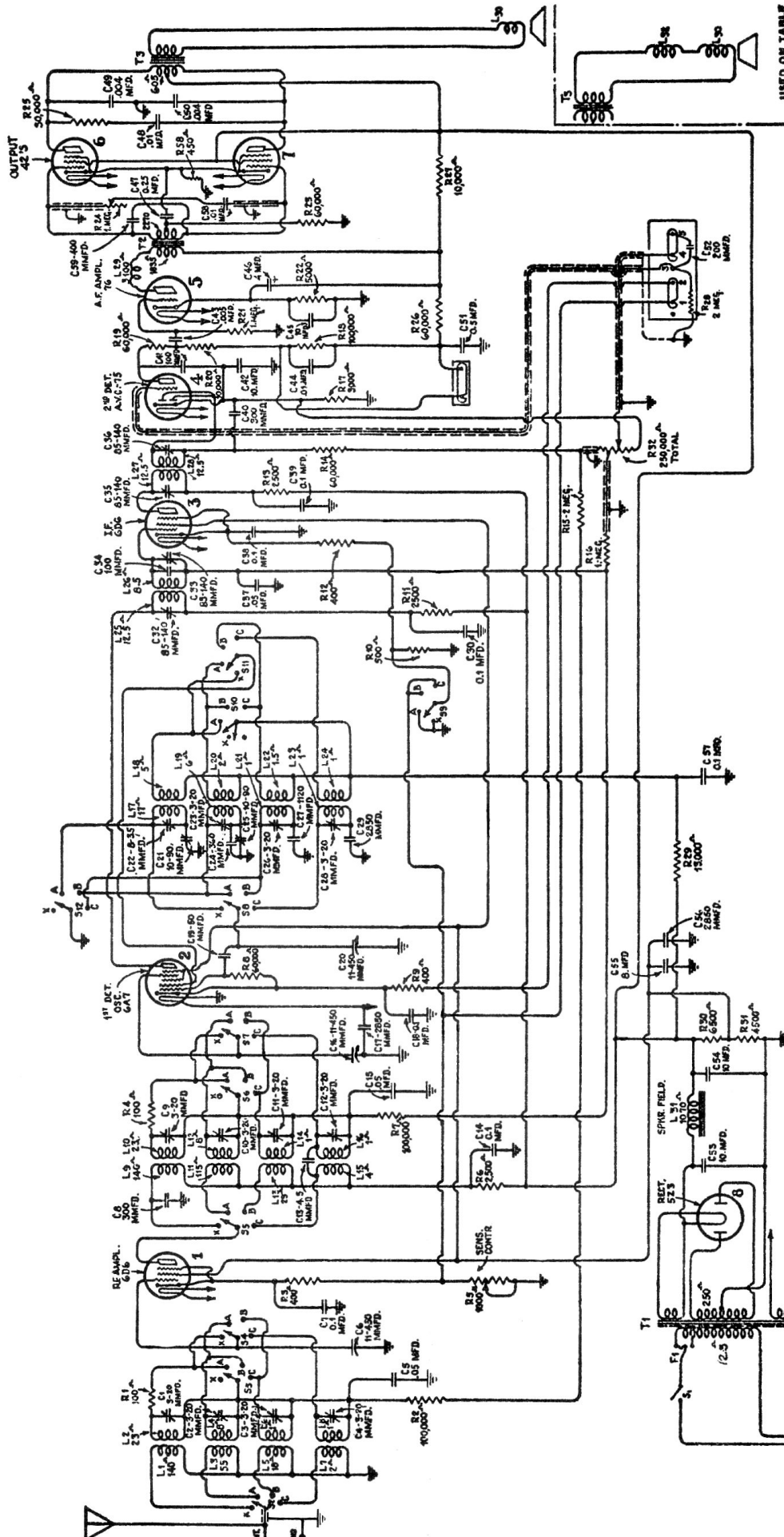


# Model 143, 242 & 340A A.C. Receivers



USED ON TABLE MODEL

**ALIGNMENT PROCEDURE**

R.F. & Det. (X)	400 K.C.
R.F. & Det. (A)	1700 K.C.
R.F. & Det. (B)	6,000 K.C.
R.F. & Det. (C)	18,000 K.C.
Oscillator (X)	400 K.C.
Oscillator (A)	600 K.C., 1700 K.C.
Oscillator (B)	6,000 K.C.
Oscillator (C)	18,000 K.C.
Intermediate Frequency	460 K.C.

Peak all R.F. stages.  
Align I.F. stages by means of oscillograph.