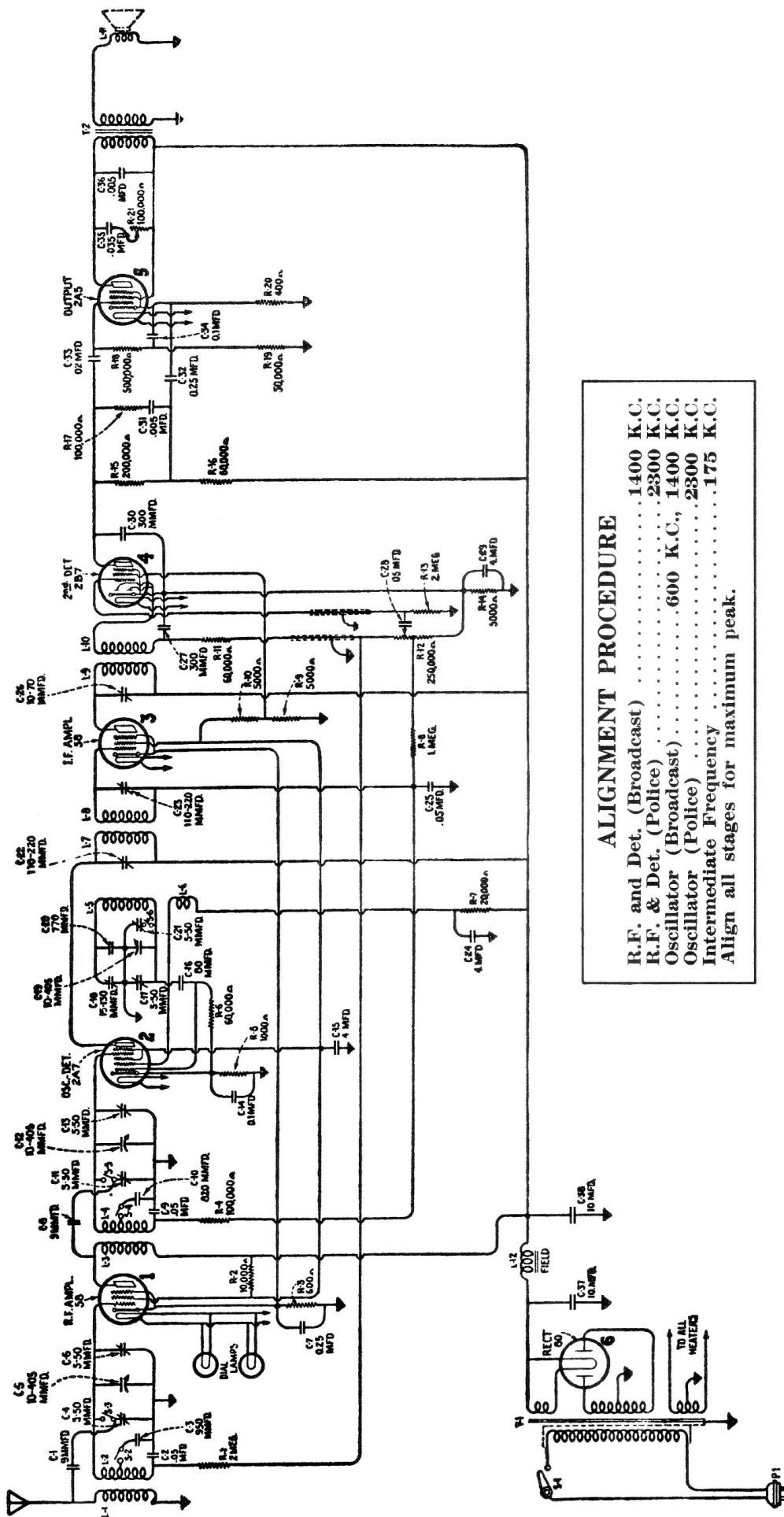


# Model 222 A.C. Receiver



**ALIGNMENT PROCEDURE**

R.F. and Det. (Broadcast) .....1400 K.C.  
 R.F. & Det. (Police) .....2300 K.C.  
 Oscillator (Broadcast) .....600 K.C., 1400 K.C.  
 Oscillator (Police) .....2300 K.C.  
 Intermediate Frequency .....175 K.C.

Align all stages for maximum peak.