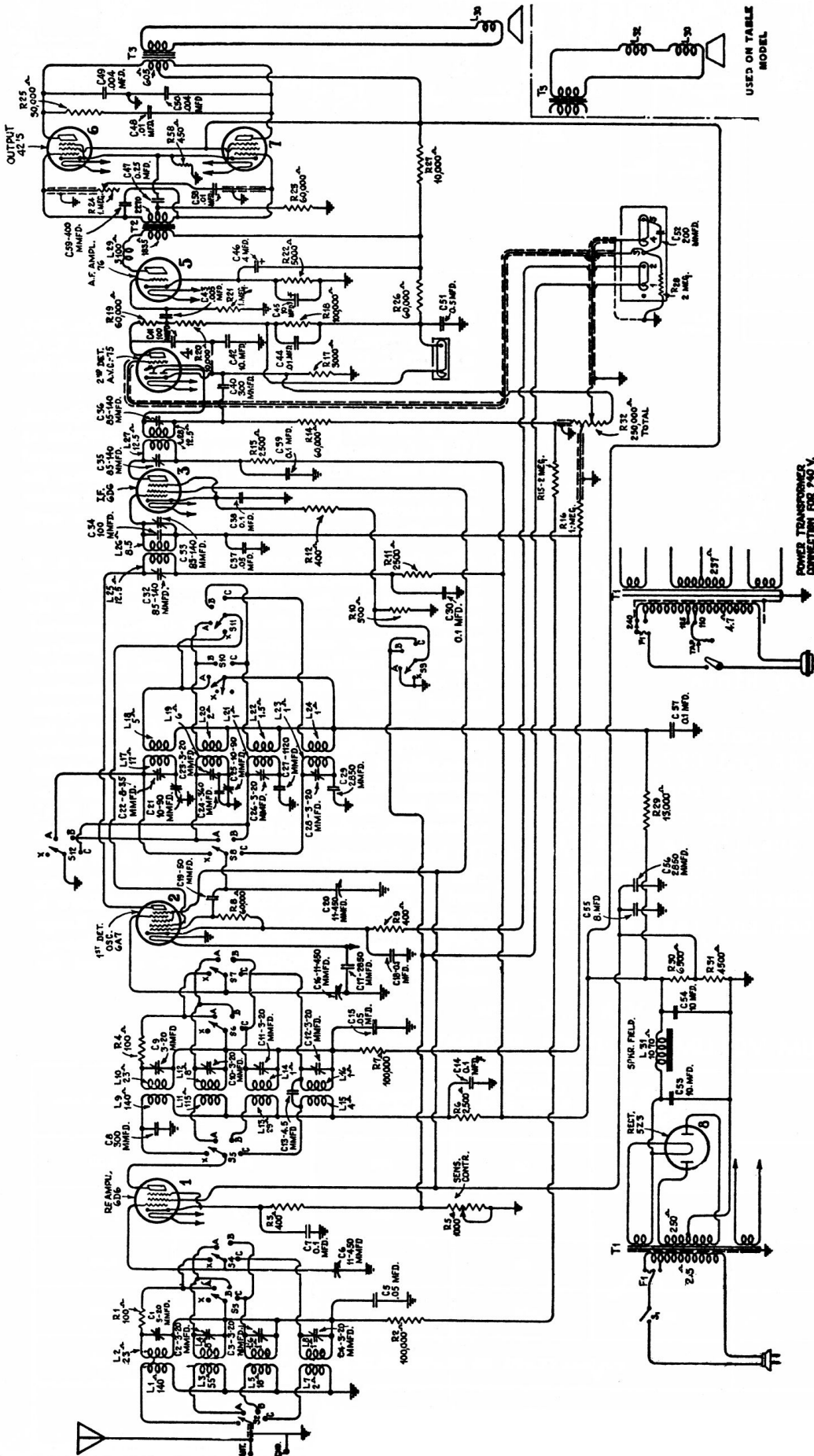
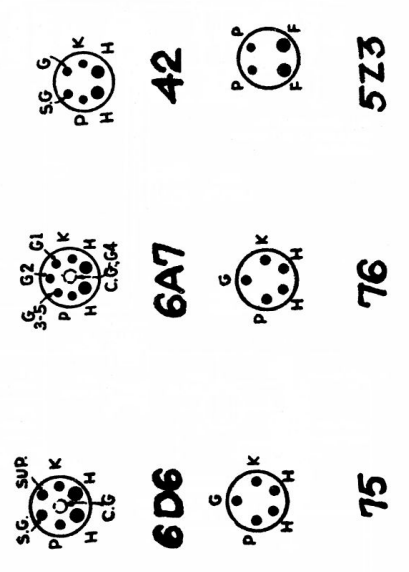


# RCA VICTOR, Inc. MODELS 143 & 242



TUBE	CATHODE V.	S. G. V.	PLATE V.	CATHODE M.A.	HEATER V.
6D6 R. F.	4.2	110	272	10.5	6.3
6A7 Osc.	4.6	110	225	11.4	6.3
6A7 1st Det.	4.6	110	282	11.4	6.3
6D6 I. F.	4.2	110	272	10.5	6.3
75 2nd Det.	1.2		170	0.4	6.3
76 A. F.	14.0	295	252	2.8	6.3
42 Power	22.0	295	290	24.5	6.3
42 Power	22.0	295	290	24.5	6.3
5Z3 Rect.			768/384	110.0	5.0

TUBE CATHODE V. S. G. V. PLATE V. CATHODE M.A. HEATER V.



USED ON TABLE MODEL

POWER TRANSFORMER CONNECTION FOR 140V.

R.M.X.