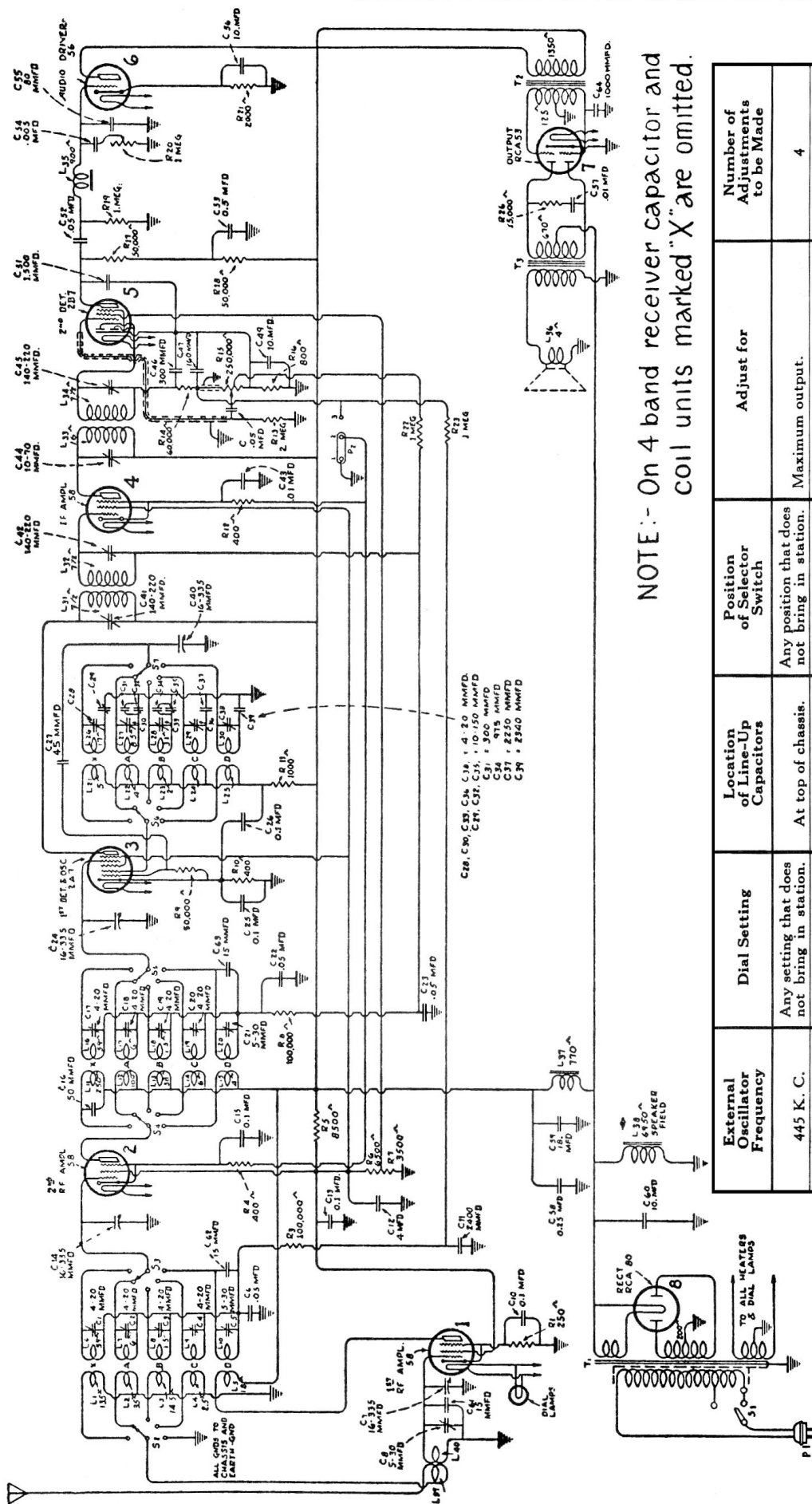


# Model 140 A.C. Receiver



NOTE:- On 4 band receiver capacitor and coil units marked "X" are omitted.

External Oscillator Frequency	Dial Setting	Location of Line-Up Capacitors	Position of Selector Switch	Adjust for	Number of Adjustments to be Made
445 K. C.	Any setting that does not bring in station.	At top of chassis.	Any position that does not bring in station.	Maximum output.	4
370 K. C.	370 K. C.	Bottom of chassis.	X	Maximum output.	3
175 K. C.	Set for signal.	Top of chassis.	X	Maximum output while rocking dial back and forth.	1
1400 K. C.	1400 K. C.	Bottom of chassis.	A	Maximum output.	3
600 K. C.	Set for signal.	Top of chassis.	A	Maximum output while rocking dial back and forth.	1
3900 K. C.	3900 K. C.	Bottom of chassis.	B	Maximum output.	3
1710 K. C.	Set for signal.	Top of chassis.	B	Maximum output while rocking dial back and forth.	1
10 M. C.	10 M. C.	Bottom of chassis.	C	Maximum output. (See Note.)	3
15 or 18 M. C.	15 or 18 M. C.	Bottom and top.	D	Maximum output. (See Note.)	4

NOTE—It is important to note, when aligning bands C and D, that two peaks will be observed on the trimmers for the oscillator and for the first detector. The correct oscillator peak is the one obtained using the lower trimmer capacitance, whereas the correct detector peak is the one obtained with the greater capacitance. It is essential that the proper peak be chosen, as otherwise tracking and sensitivity will be very poor at other frequencies. When adjusting the detector trimmer, the tuning capacitor should be rocked, since there is a reaction on the oscillator tuning.