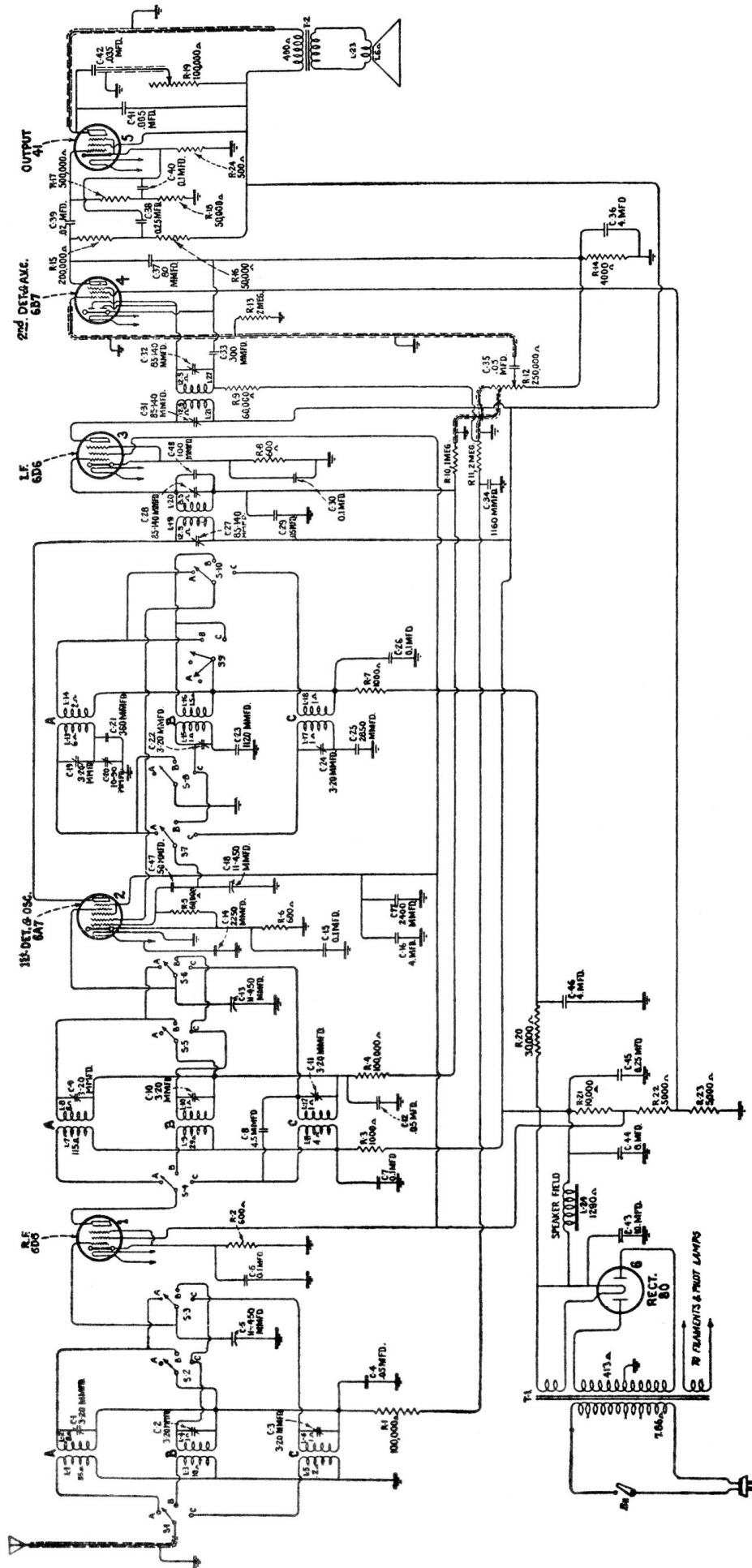


# Models 129 & 226 A.C. Receivers



NOTE:—Coils marked "B" and connections thereto are omitted.

## ALIGNMENT PROCEDURE

R.F. & Det. (Broadcast)	1,700 K.C.
R.F. & Det. (S.W.)	18,000 K.C.
Oscillator (Broadcast)	600 K.C., 1,700 K.C.
Oscillator (S.W.)	18,000 K.C.
Intermediate Frequency	460 K.C.

Align all R.F. stages for maximum peak.  
Align I.F. stages by means of oscillograph.