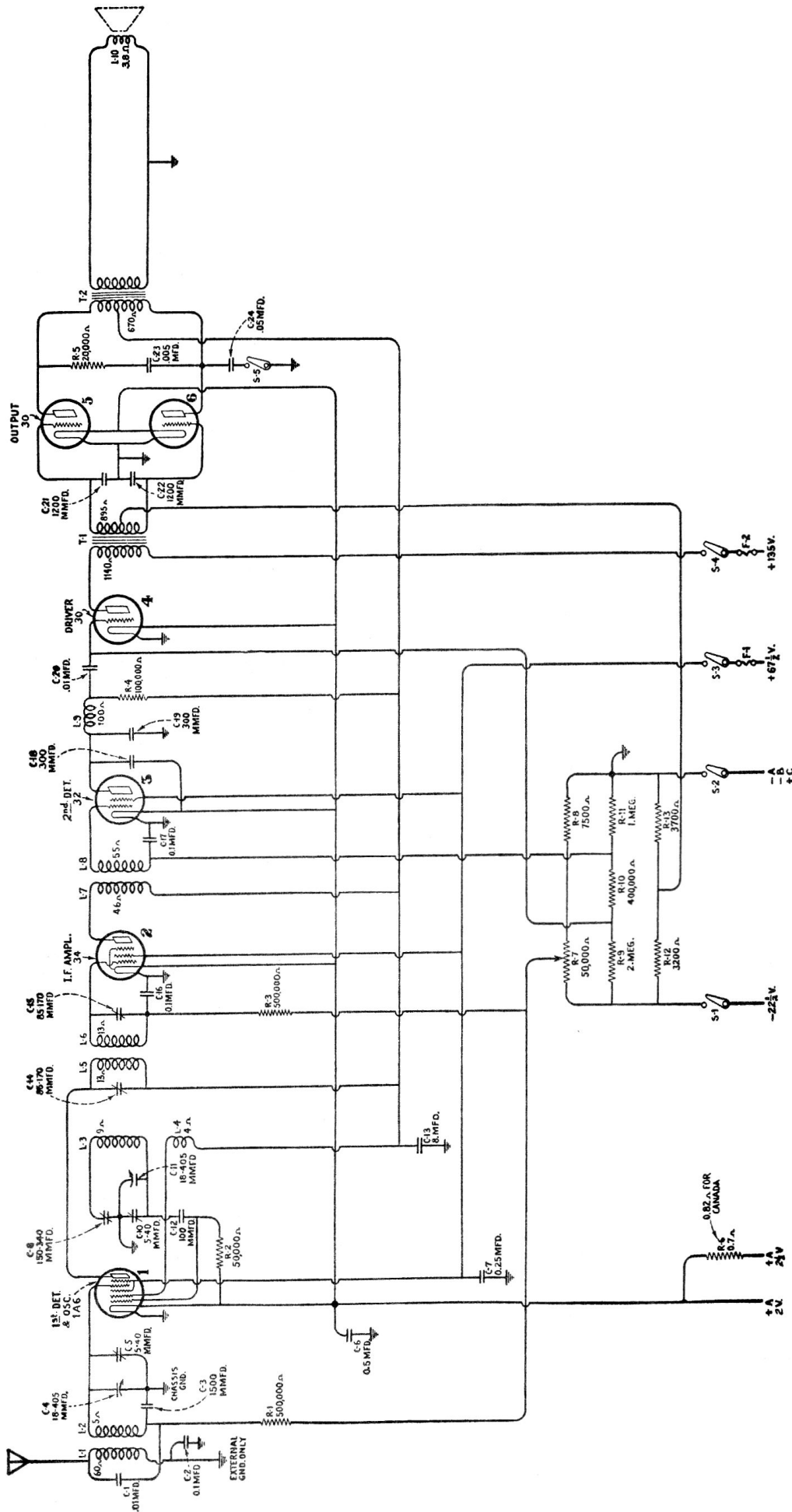


# Models 126B & 223B Battery Receivers



**ALIGNMENT PROCEDURE**

R.F. & Det. Stages ..... 1400 K.C.  
 Oscillator Stage ..... 600 K.C., 1400 K.C.  
 Intermediate Frequency ..... 175 K.C.  
 Align all stages for maximum peak.