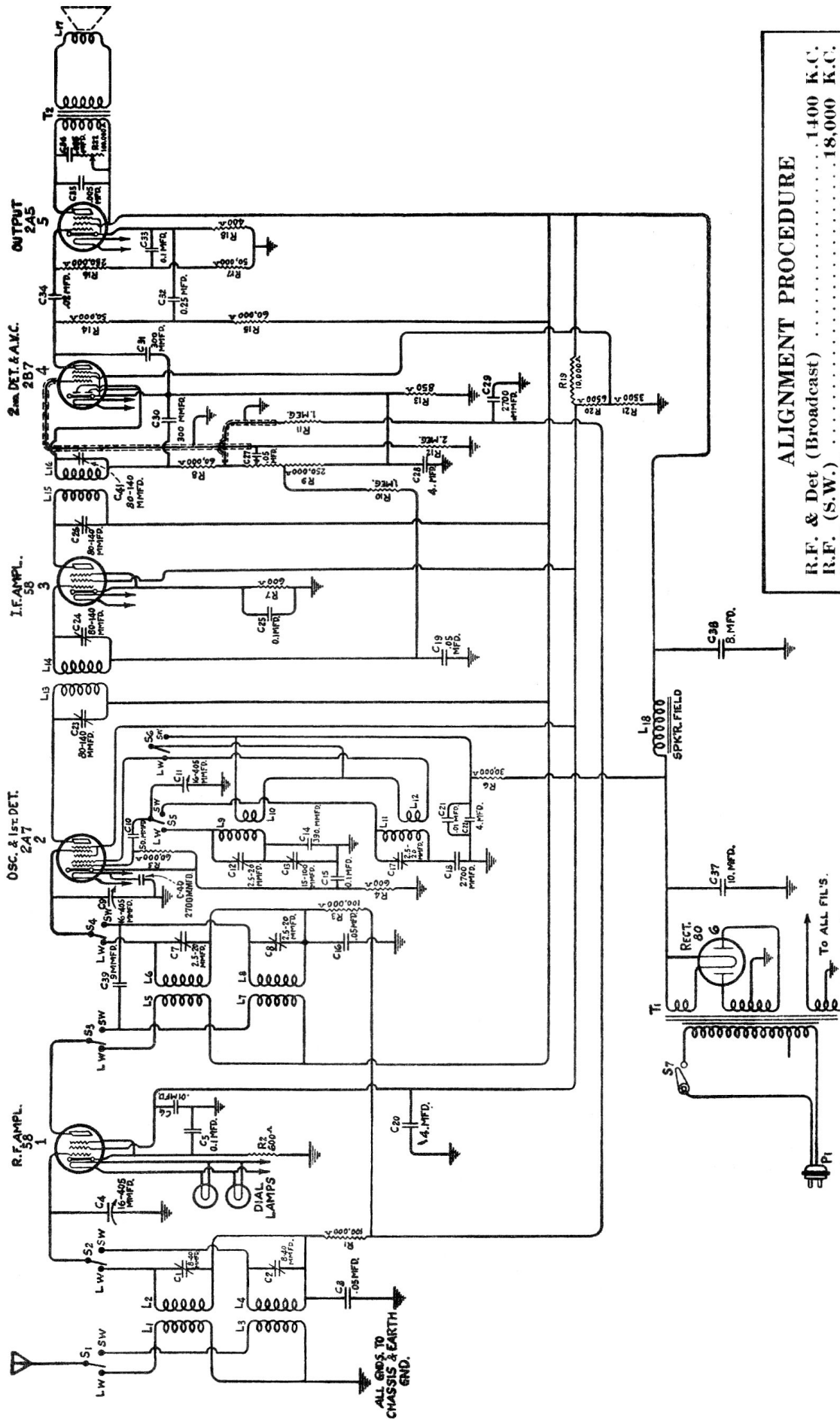


Models 122 & 221 A.C. Receivers



ALIGNMENT PROCEDURE

- R.F. & Det (Broadcast) 1400 K.C.
 - R.F. (S.W.) 18,000 K.C.
 - Oscillator (Broadcast) 600 K.C., 1400 K.C.
 - Oscillator (S.W.) 18,000 K.C.
 - Intermediate Frequency 370 K.C.
- Align all stages for maximum peak.