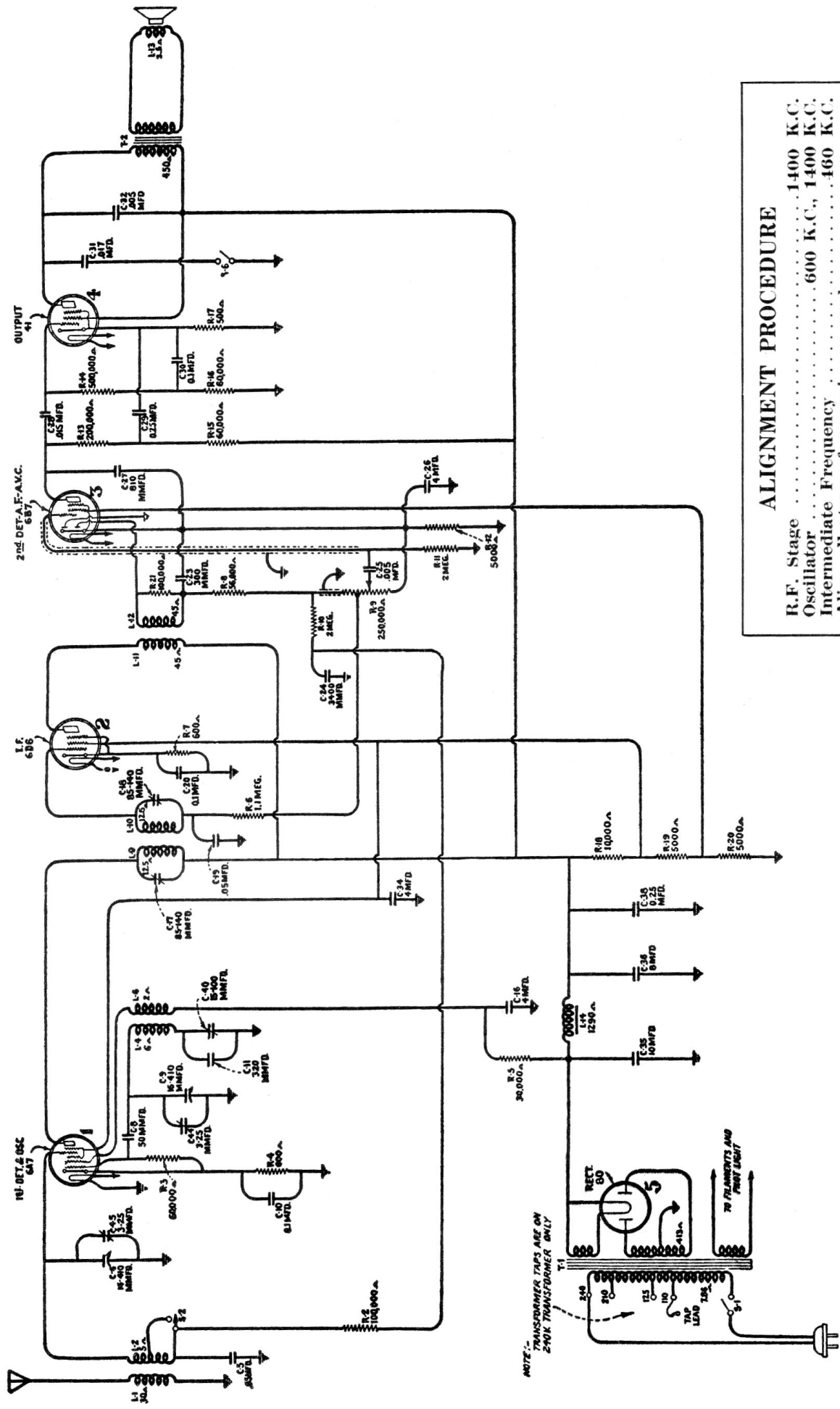


MODEL 119 A.C. Receiver



NOTE: TRANSFORMER TAP SET ON 250V. TRANSFORMER ONLY.

ALIGNMENT PROCEDURE

R.F. Stage 1400 K.C.
 Oscillator 600 K.C., 1400 K.C.
 Intermediate Frequency 460 K.C.
 Align all stages for maximum peak.