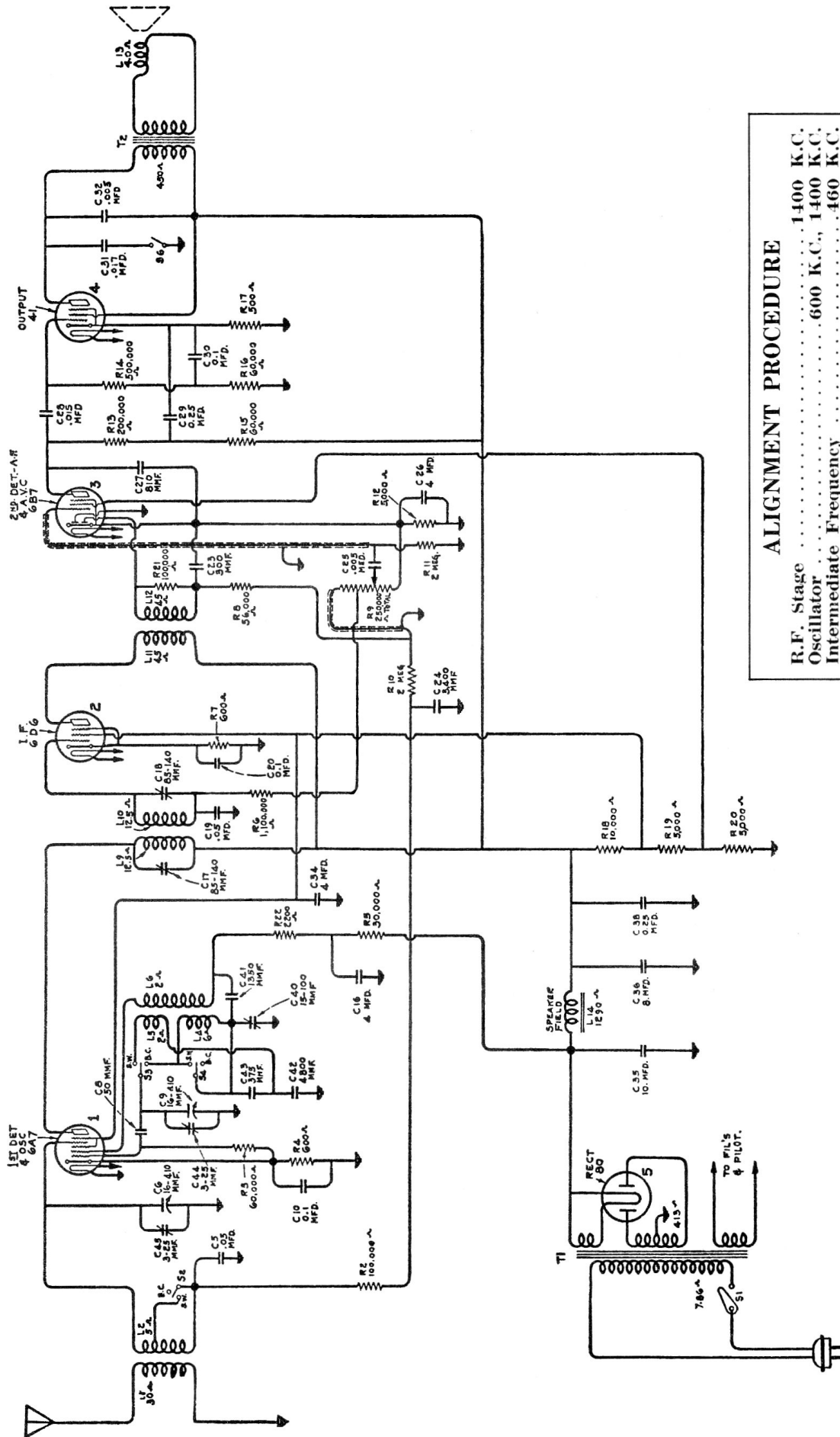


Models 117, 214, C5-1 & T5-1, A.C. Receivers



ALIGNMENT PROCEDURE

R.F. Stage 1400 K.C.
 Oscillator 600 K.C., 1400 K.C.
 Intermediate Frequency 460 K.C.
 Align all stages for maximum peak.