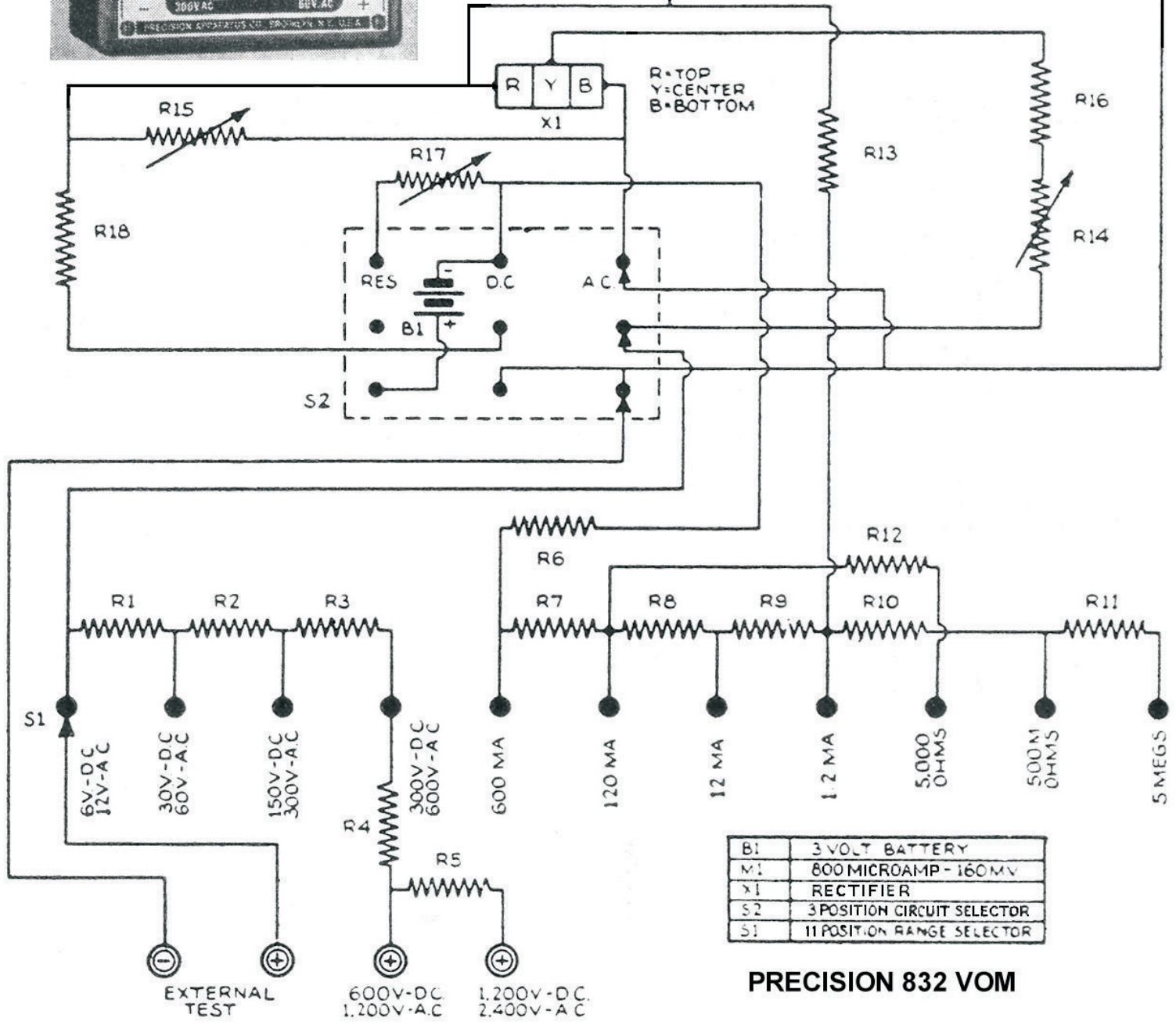


R18	5.840 Ω
R17	325 Ω ADJUST OHMS
R16	4M Ω
R15	5MA SEALED (CALIBRATED)
R14	2M Ω SEALED (CALIBRATED)
R13	133.33 Ω
R12	15 Ω CALIBRATED
R11	19,800 Ω
R10	1923.3 Ω
R9	600 Ω
R8	60 Ω
R7	5.333 Ω
R6	1.333 Ω
R5	600M Ω
R4	300M Ω
R3	150M Ω
R2	120M Ω
R1	24M Ω



B1	3VOLT BATTERY
M1	800 MICROAMP - 160MV
X1	RECTIFIER
S2	3 POSITION CIRCUIT SELECTOR
S1	11 POSITION RANGE SELECTOR

PRECISION 832 VOM