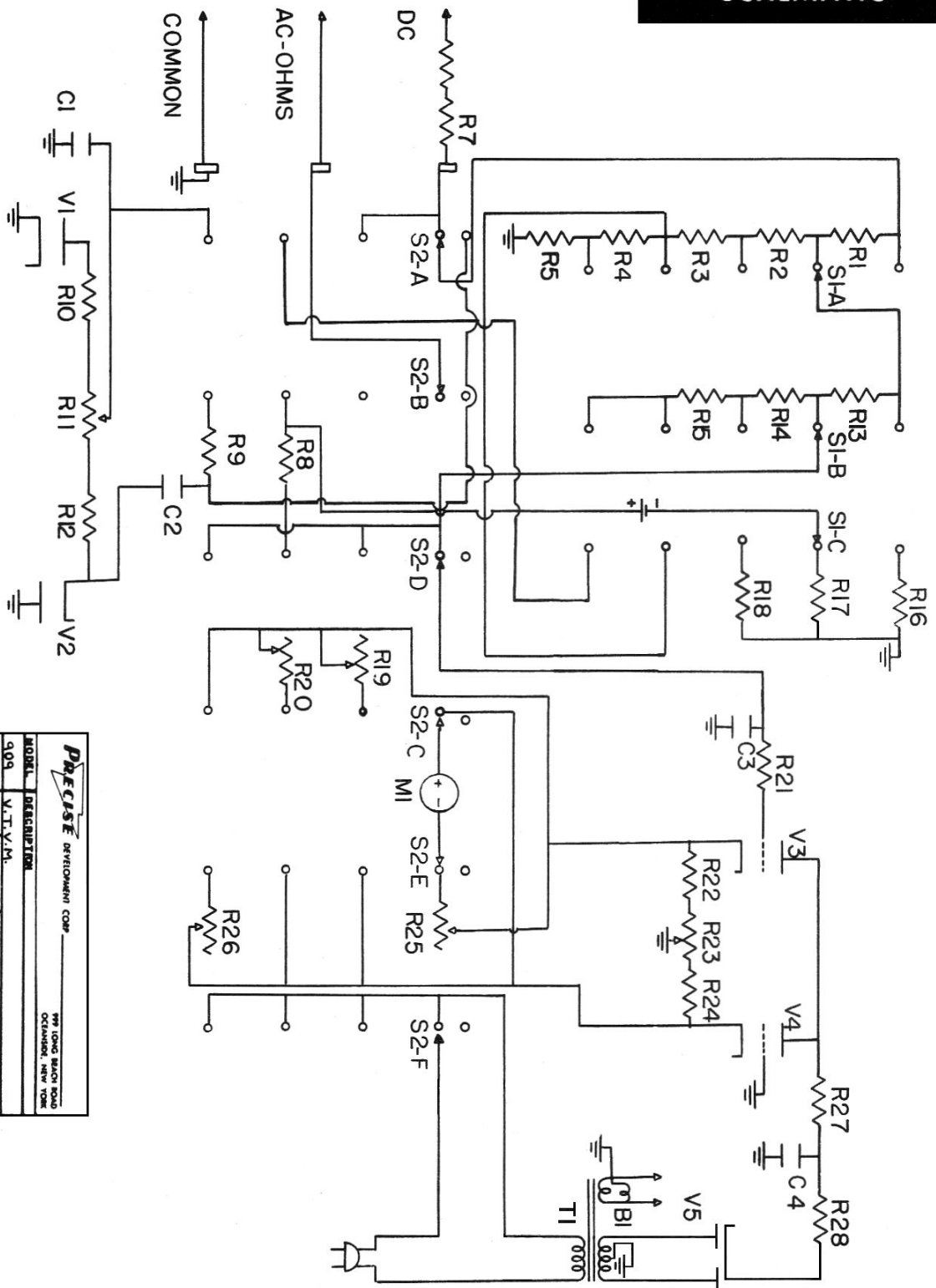


SCHEMATIC



Precision		DEVELOPMENT COMP.		447 LONG BEACH ROAD OCEANSIDE, NEW YORK	
MODEL	DESCRIPTION	DESIGN BY	DRAWN BY	CHECKED BY	
909	V.T.V.M.				
DATE	DATE	BY	BY	BY	
9-9-51	8-1-51	W.M.	S.K.	A.R.S.	
REVISIONS					

DESCRIPTION	PART#	AM'T
8M ohm Res.*	R-1	1
1.8M ohm Res.*	R-2	1
.1M " " *	R-3	1
50K " " *	R-4, R-5	2
1.5M " " *	R-7	1
5M or 6M Res.	R-8	1
820K ohm Res.	R-9	1
1.5M " " "	R-10	1
2M ohm Potentiometer	R-11	1
1.5M ohm Res.	R-12	1
3.9M " " "	R-13	1
1.5M " " "	R-14	1
100K " " "	R-15	1
10 ohm Res.*	R-16	1
100 " " *	R-17	1
10K " " *	R-18	1
2K ohm Potentiometer	R-19	1
1.2M ohm Res.	R-20	1
4.70 " " "	R-21	1
2K ohm Potentiometer	R-22	1
470 ohm Res.	R-23	1
2K ohm Potentiometer	R-24	1
" " " "	R-25	1
15K ohm Res.	R-26	1
" " " "	R-27	1
15K ohm Res.	R-28	1
6AL5 Tube	V-1, V-2	1
6SN7 " "	V-3, V-4	1
6X5 " "	V-5	1

* Precision Resistor