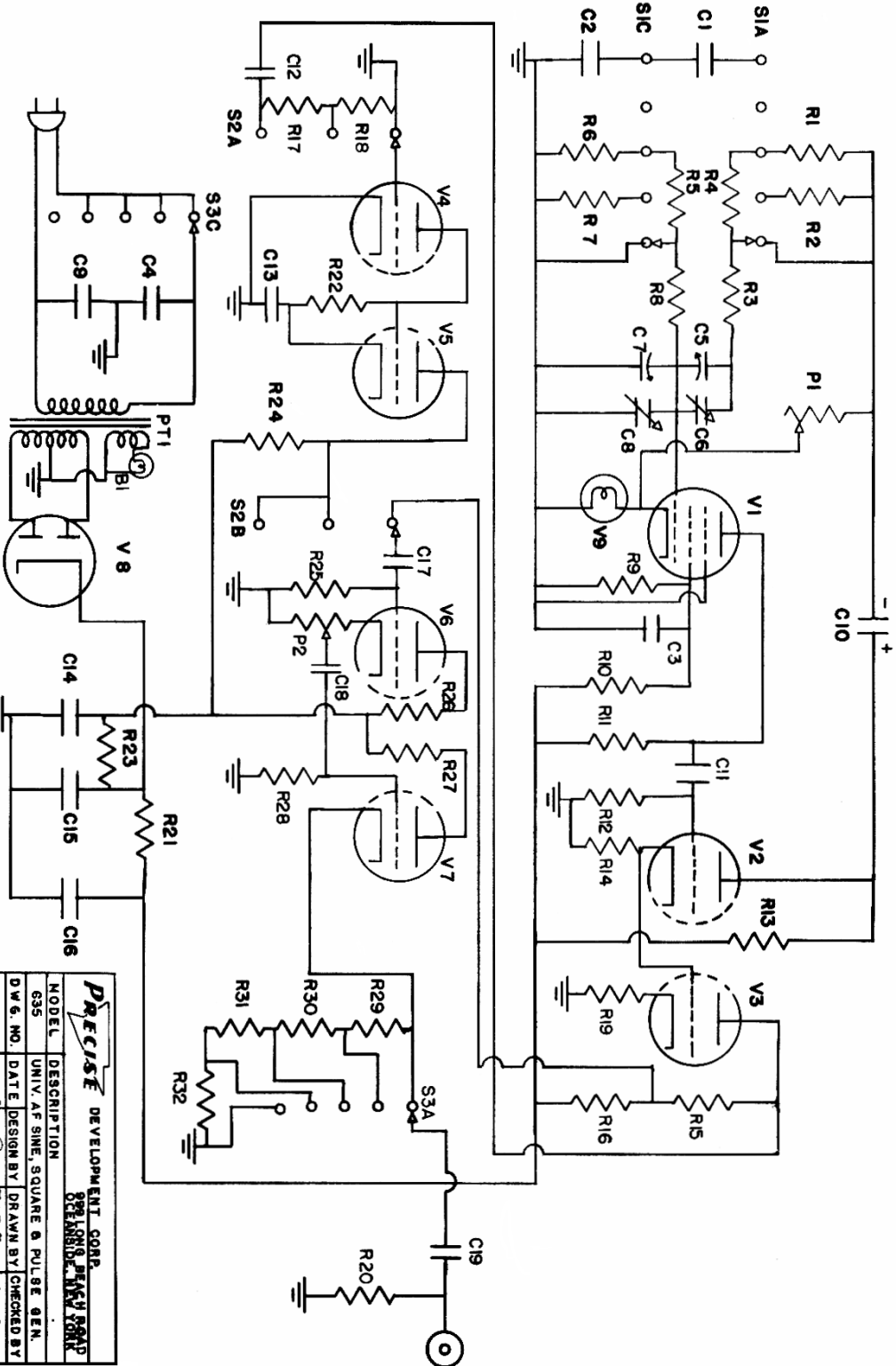


# SCHEMATIC



PRECISE DEVELOPMENT COMP.			
MODEL	DESCRIPTION	UNIV. AF SINE, SQUARE & PULSE GEN.	DATE
635	UNIV. AF SINE, SQUARE & PULSE GEN.		
DESIGNED BY		DRAWN BY	
CHECKED BY		REVISIONS	
630-22211		1-7-58	

DESCRIPTION	PART#	AM" T
Pilot Light (small)	B1	
.370 uufd Condenser	C1	
" "	C2	
.57 " "	C3	
.0015 ufd " "	C4	
Variable Condenser	C5-8	
.0015 ufd " "	C9	
.20 or .24 ufd " "	C10	
.1 ufd " "	C11	
.25 " "	C12	
20x20 ufd " "	C13-14	
.5 " "	C15-16	
.25 " "	C17	
" "	C18	
" "	C19	
2,000 ohm Potentiometer	P1	
50 " "	P2	
" "	PT1	
Power Transformer	R1	
1.8M 1/2 Res	R2	
163.6K 1/2 Res	R3	
18K " "	R4	
8M " "	R5	
" "	R6	
1.8M 1/2 " "	R7	
163.6K " "	R8	
18K " "	R9	
56K Resistor	R10	
100K " "	R11	
1.2M " "	R12	
10K " "	R13	
1K " "	R14	
47K " "	R15	
20K " "	R16	
470K " "	R17	
" "	R18	
" "	R19	
6.8K " "	R20	
47K " "	R21	
2.2K " 1 Watt	R22	
3.3K " 1 Watt	R23	
10K " Resistor	R24	
1.2M " "	R25	
10K " "	R26	
" "	R27	
5.6M " "	R28	
1.5K " "	R29	
330 Ohm Resistor	R30	
100 " "	R31	
" "	R32	
5 Position Switch	S1	
" "	S2	
3 " "	S3	
5 Position Switch	S4	
" "	S5	
6AUG Tube	V1	
" "	V2-3	
6SN7 " "	V4-5	
" "	V6-7	
" "	V8	
6X5 " "	V9	
636 " "		