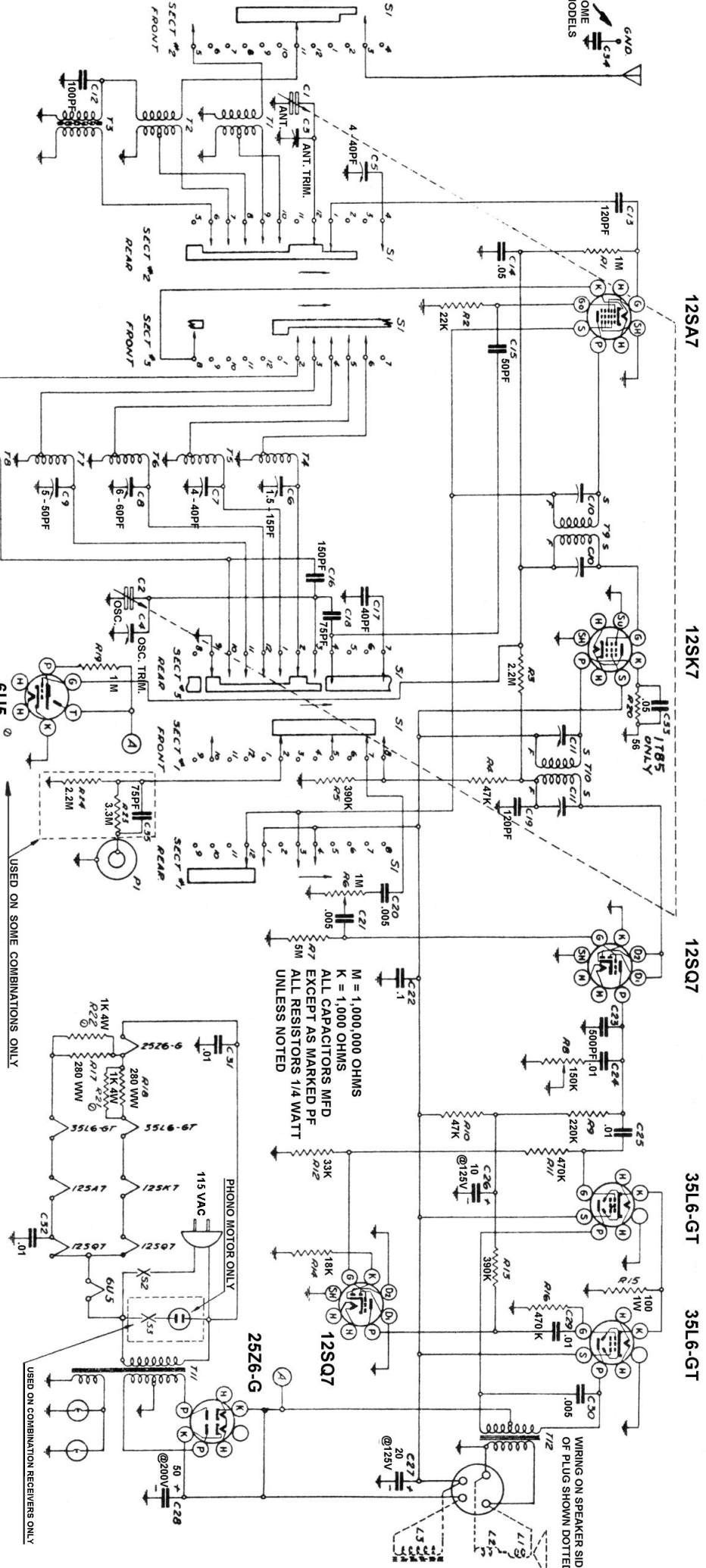


SWITCH SHOWN IN PHONO POSITION



Electrohome 1TC75-E, Z1TC75-E, 1T85-E, Z1T85-E, 1T85-E-1, Z1T85-E-1, 1TC85-E, Z1TC85-E, 1TC85-E-1, Z1TC85-E-1, 1TC85-E-2, Z1TC85-E-2, 1TC85-E-3, Z1TC85-E-3.

USED ON SOME COMBINATIONS ONLY

USED ON COMBINATION RECEIVERS ONLY

M = 1,000,000 OHMS
K = 1,000 OHMS
ALL CAPACITORS MFD
EXCEPT AS MARKED PF
ALL RESISTORS 1/4 WATT
UNLESS NOTED

WIRING ON SPEAKER SIDE
OF PLUG SHOWN DOTTED.

Electrohome 1TC75-E, Z1TC75-E, 1T85-E, Z1T85-E, 1T85-E-1, Z1T85-E-1, 1TC85-E, Z1TC85-E, 1TC85-E-1, Z1TC85-E-1, 1TC85-E-2, Z1TC85-E-2, 1TC85-E-3, Z1TC85-E-3.

ALIGNMENT—PROCEED IN SEQUENCE LISTED

Band	Band Switch Setting	Dummy Antenna	Connect Generator To	Radio Dial Setting	Generator Frequency	Trimmer Adjusted	Adjustment
2nd I.F.	B.C.	.1 Mfd.	Grid of 12SK7 I.F. Tube	1650 K.C.	455 K.C.	2nd I.F. C-11	Maximum Output
1st I.F.	B.C.	.1 Mfd.	Grid of 12SA7 Converter	1650 K.C.	455 K.C.	1st I.F. C-10	Maximum Output
1460 K.C.	B.C.	75 Mmfd.	Antenna	1460 K.C.	1460 K.C.	B.C. Osc. C-4 B.C. Ant. C-3	Maximum Output
600 K.C.	B.C.	75 Mmfd.	Antenna	600 K.C.	600 K.C.	Check	Check
49 Meters	S.W.	250 Ohm	Antenna	6.10 M.C.	6.10 M.C.	6M.C. Osc. C-9 S.W. Ant. C-5	Maximum Output
31 Meters	S.W.	250 Ohm	Antenna	9.55 M.C.	9.55 M.C.	9M.C. Osc. C-8	Calibration
25 Meters	S.W.	250 Ohm	Antenna	11.85 M.C.	11.85 M.C.	11 M.C. Osc. C-7	Calibration
19 Meters	S.W.	250 Ohm	Antenna	15.25 M.C.	15.25 M.C.	15 M.C. Osc. C-6	Calibration

