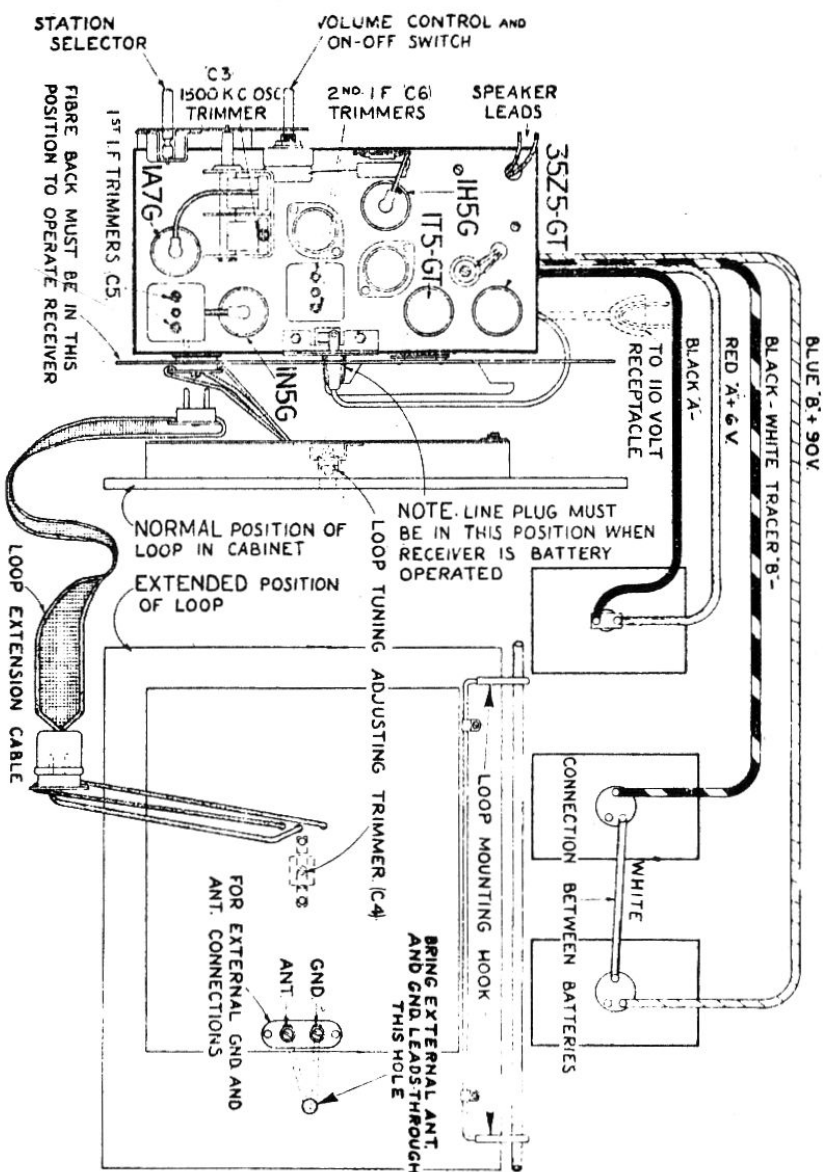


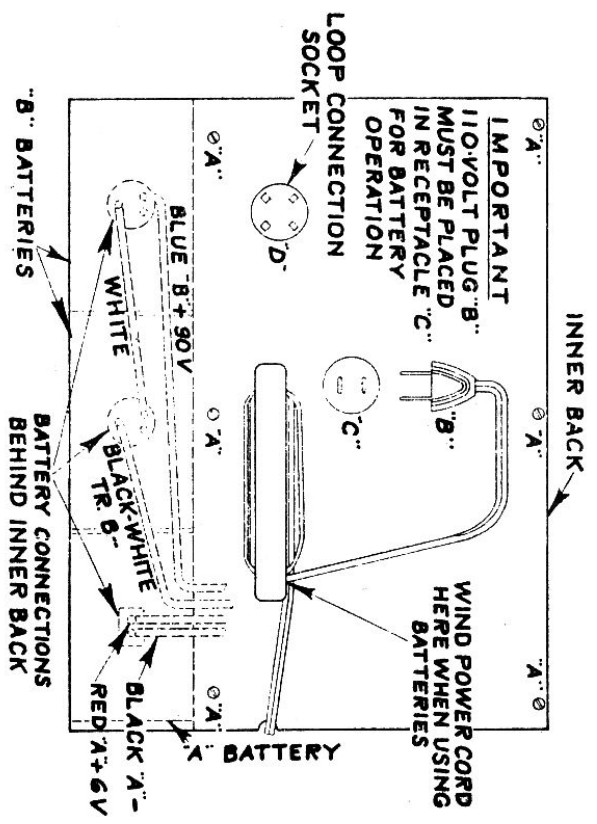
# Phonola - Electrohome 9UB51-E AC/DC & Battery Operated Radio



# Electrohome 9UB51-E AC/DC & Battery Operated Radio

ALIGNMENT -- PROCEED IN SEQUENCE LISTED

Band	Band Switch Setting	Dummy Antenna	Connect Generator To	Radio Dial Setting	Generator Frequency	Trimmer Adjusted	Adjustment	Note
2nd I. F.		.1 Mfd.	Grid I N5G I. F. Tube	1535 K. C.	455 K. C.	2nd I. F. C6	Maximum Output	
1st I. F.		.1 Mfd.	Grid I A7G 1st Detector	1535 K. C.	455 K. C.	1st I. F. C5	Maximum Output	
1400 K. C.		400 Ohm	Antenna	1400 K. C.	1400 K. C.	B.C. Osc. C3 B.C. Ant. C4	Maximum Output	
000 K. C.		400 Ohm	Antenna	000 K. C.	000 K. C.			Check Only



## ALIGNMENT AND CALIBRATION

These receivers are carefully aligned and calibrated at the factory with precision instruments. If realignment is necessary, the following equipment is required:

- (1) A Signal Generator to supply with accuracy the frequencies:
  - (a) 455 K.C., (b) 1460 K.C.
- (2) A dependable Output Meter.