

6A8G

6B8G

6F6G

WINDING POLARITY
 "S" DESIGNATES START OF WINDING
 "F" DESIGNATES FINISH OF WINDING
 ALL VOLTAGES MEASURED TO CHASSIS

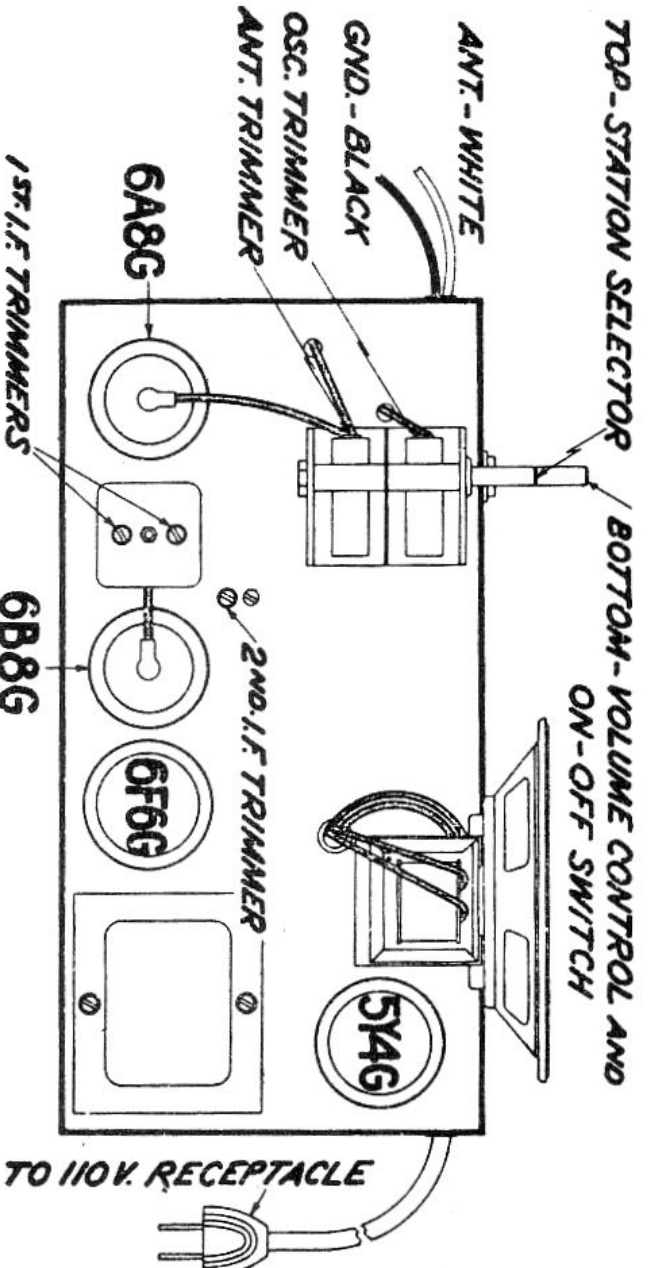
Phonola - Electrohme 941-E & Z941-E

Alignment & Layout

Electrohome

941-E

Z941-E



ALIGNMENT ---- PROCEED IN SEQUENCE LISTED

Band	Dummy Antenna	Connect Generator To	Radio Dial Setting	Generator Frequency	Trimmer Adjusted	Adjustment	Note	Approx. Sensitivity
2nd I. F.	.1 Mfd.	Grid of 6B8G I. F. Tube	1700 K. C.	455 K. C.	2nd I. F. C-11	Maximum Output		
1st I. F.	.1 Mfd.	Grid of 6A8G 1st Detector	1700 K.C.	455 K. C.	1st I. F. C-7	Maximum Output		150 Microvolts
1460 K. C.	200 Mmfd.	Antenna	1460 K. C.	1460 K. C.	B. C. Osc. C-4 B. C. Ant. C-3	Maximum Output		50 Microvolts
600 K. C.	200 Mmfd.	Antenna	600 K. C.	600 K. C.			Check Only	50 Microvolts