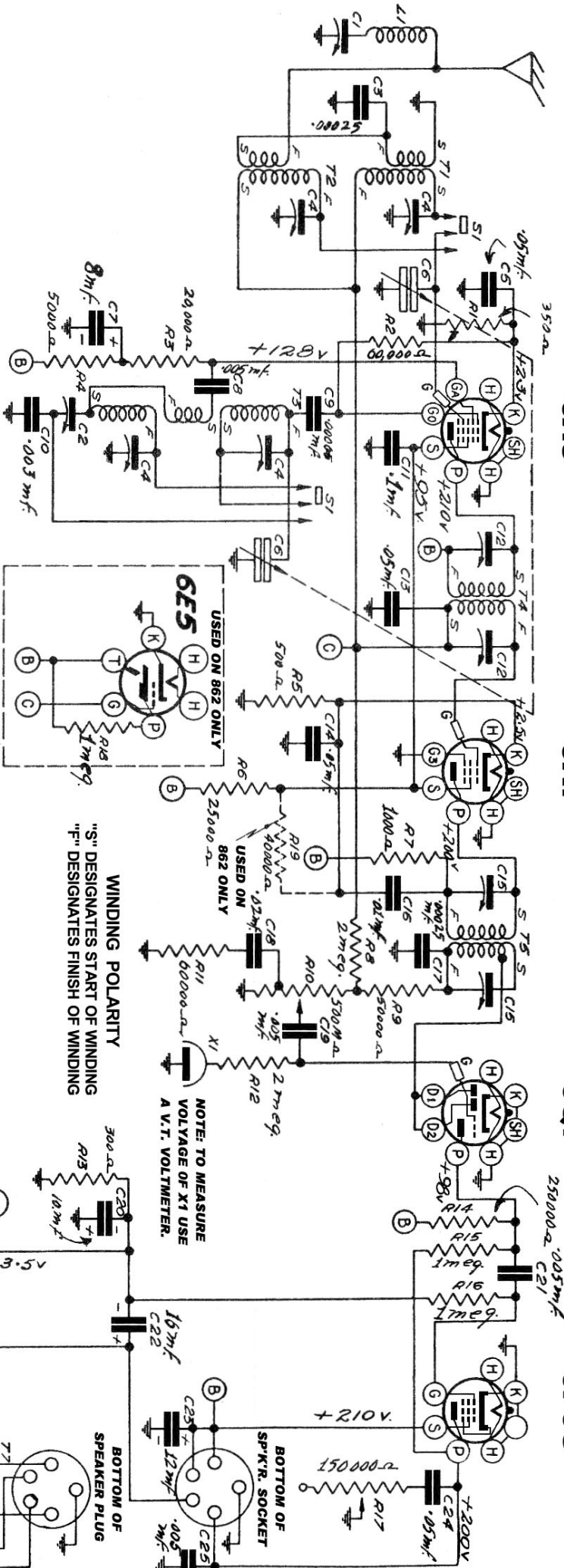


6A8

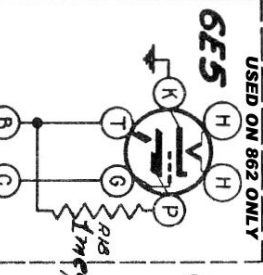
6K7

6Q7

6F6G

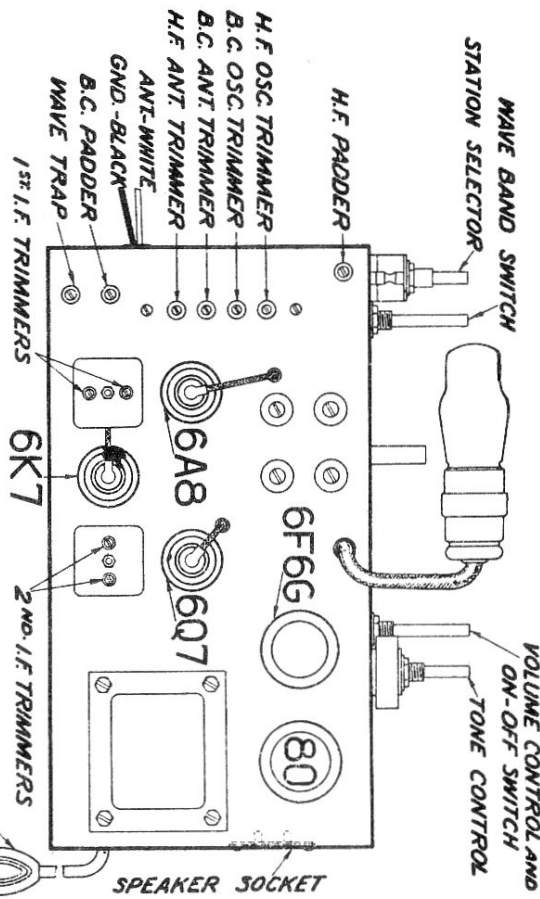


WINDING POLARITY
 "S" DESIGNATES START OF WINDING
 "F" DESIGNATES FINISH OF WINDING



NOTE: TO MEASURE VOLTAGE OF X1 USE A.V.T. VOLTMETER.

Alignment Phonola Data Sheet 89;
 "ELECTROPHONE 8XXX & Z8XXX RADIO ALIGNMENT DATA"



Phonola-

Electrohome 852-P, 862-P, 862-E

& Z862-L

