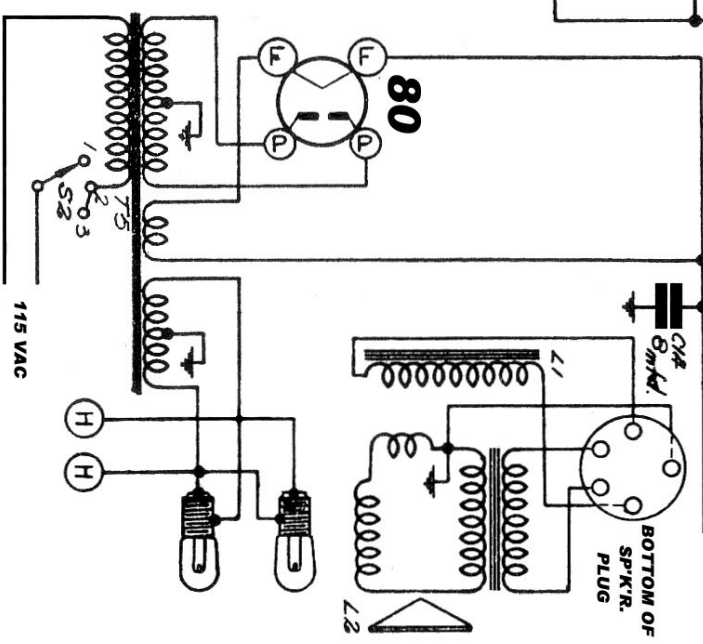


# Electrohme 751-P

## Phonola



# Electrohome

## 751-P

### Alignment Instructions

#### I. F. ALIGNMENT

Set the signal generator to 456 K.C., and connect the output to the grid cap of the 6A7 tube through a .1 Mfd. condenser. The generator ground is connected to the chassis ground lead or frame which must be externally grounded. The receiver dial is set to its highest frequency (gang open), and the volume control turned full on.

The I. F. trimmers, located as shown on the tube layout chart, are then adjusted by means of a non-metallic screw driver until maximum output results.

#### R. F. ALIGNMENT

**1500 K. C.** Set the signal generator to 1500 K.C., and connect its output lead to the antenna lead of the receiver in series with a .00025 Mfd. condenser. The ground from the signal generator must be connected to the chassis ground lead or frame, and externally grounded. With the dial of the receiver set at 1500 K.C. and the volume control turned full on, adjust the oscillator trimming condenser, located as shown on the tube layout chart, until a signal is heard.

**Note:** There may be two signals present, use the one obtained by the minimum capacity setting of the trimming condenser and adjust it to its peak. Then adjust the antenna trimming condenser for maximum output.

**600 K. C.** This chassis uses a cut plate tuning gang, which tracks accurately across the entire broadcast band, thus eliminating the 600 K.C. padding condenser.