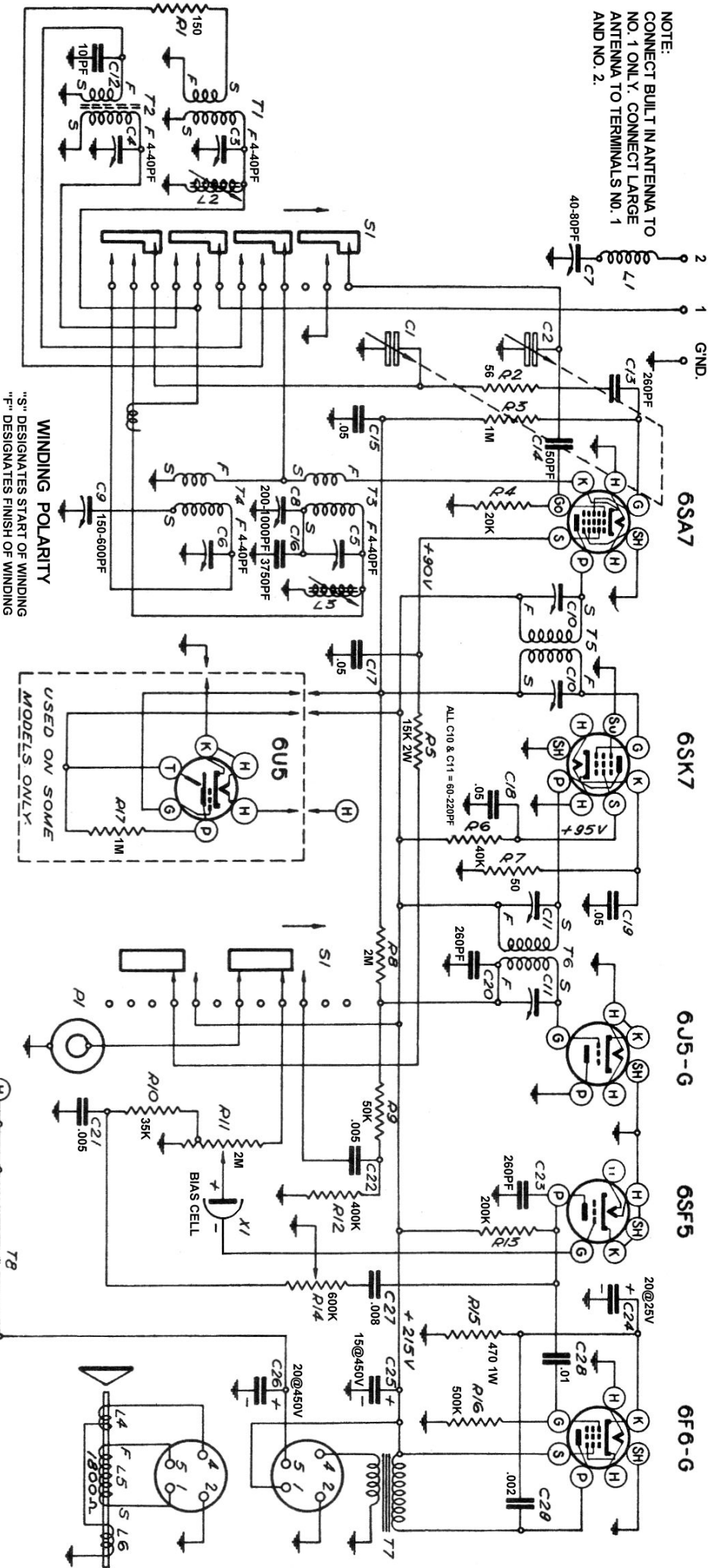


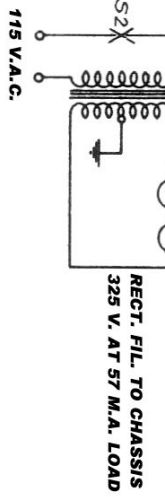
NOTE:  
CONNECT BUILT IN ANTENNA TO  
NO. 1 ONLY. CONNECT LARGE  
ANTENNA TO TERMINALS NO. 1  
AND NO. 2.



WINDING POLARITY  
"S" DESIGNATES START OF WINDING  
"F" DESIGNATES FINISH OF WINDING

NOTE:  
SELECTOR SWITCH SHOWN  
IN PHONO POSITION.  
ALL VOLTAGES MEASURED  
TO CHASSIS

# Phonola - Electrohome 40AM72-X-E, Z40AM72-X-E 40AM72XE-1 & Z40AM72XE-1



## ALIGNMENT AND CALIBRATION

These receivers are carefully aligned and calibrated at the factory with precision instruments. If realignment is necessary, the following equipment is required:

- (1) A Signal Generator to supply with accuracy the frequencies:
  - (a) 455 K.C., (b) 1460 K.C., (c) 600 K.C.,
  - (d) 15 M.C., (e) 6 M.C.
- (2) A dependable Output Meter.

**Note 1**—When aligning oscillator section at high frequencies, care should be taken that the receiver is not adjusted to an image frequency in place of the fundamental. At 15 M.C., fundamental will be obtained at minimum trimmer capacity.

**Note 2**—When aligning antenna trimmer at high frequencies, rock gang condenser back and forth to obtain maximum peak.

### Electrohome 40AM72-X-E, Z40AM72-X-E 40AM72XE-1 & Z40AM72XE-1

#### ALIGNMENT—PROCEED IN SEQUENCE LISTED

Band	Band Switch Setting	Dummy Antenna	Connect Generator To	Radio Dial Setting	Generator Frequency	Trimmer Adjusted	Adjustment	Note	Approx. Sensitivity for 50 M.W. Output
2nd I.F.	B.C.	.1 Mfd.	Grid of 6.S.K.7 I.F. Tube	1650 K.C.	455 K.C.	2nd I.F. C-11	Maximum Output		2700 Microvolts
1st I.F.	B.C.	.1 Mfd.	Grid of 6.S.A.7 Converter	1650 K.C.	455 K.C.	1st I.F. C-10	Maximum Output		40 Microvolts
1460 K.C.	B.C.	75 Mmfd.	Antenna	1460 K.C.	1460 K.C.	B.C. Osc. Ant. C-6 B.C. Ant. C-4	Maximum Output		12 Microvolts
600 K.C.	B.C.	75 Mmfd.	Antenna	600 K.C.	600 K.C.	B.C. Padder C-9	Maximum Output	Refer to Note 1	9 Microvolts
1.7 M.C.	S.W.	250 Ohm	Antenna	1.7 M.C.	1.7 M.C.	S.W. Osc. C-5 S.W. Ant. C-3	Maximum Output	Refer to Note 2	40 Microvolts
6 M.C.	S.W.	250 Ohm	Antenna	6 M.C.	6 M.C.	S.W. Padder C-8	Maximum Output		60 Microvolts
Wave Trap	B.C.	75 Mmfd.	Antenna	535 K.C.	455 K.C.	Wave Trap Trimmer C-7	Minimum Output		

