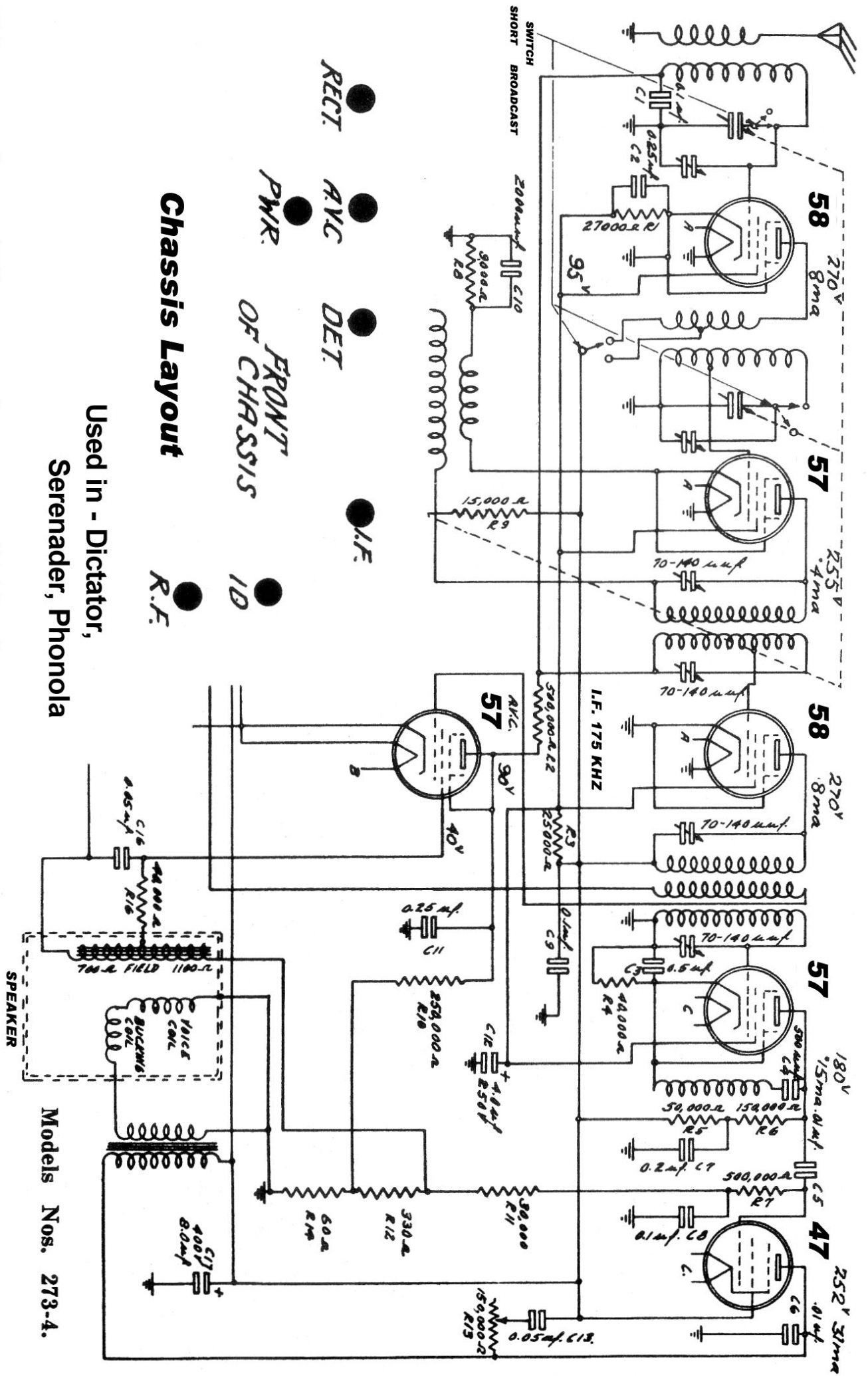


Phonola - Electrohome 273-1, 273-2, 274-1, 274-2



- RECT
 - AVC
 - DET
 - I.F.
 - ID
 - R.F.
- FRONT OF CHASSIS**

Chassis Layout

Used in - Dictator,
Serenader, Phonola

Models Nos. 273-4.

Phonola - Electrohome 273-4