

NOTE:
 CHASSIS GROUND ONLY
 NOT EXTERNAL

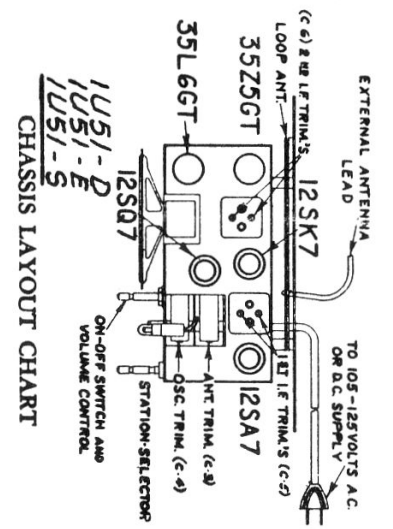
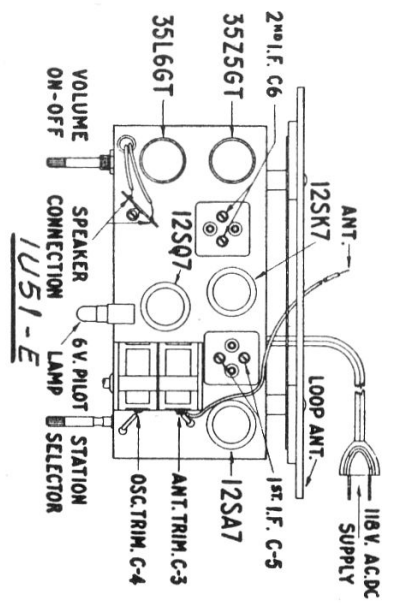
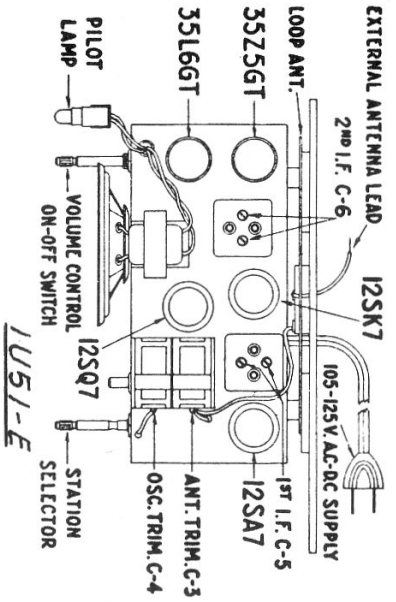
NOTE:
 ALL VOLTAGES +/-10% MEASURED TO B-

WINDING POLARITY
 "S" DESIGNATES START OF WINDING
 "F" DESIGNATES FINISH OF WINDING

12SA7 12SK7 12SQ7 35L6-GT 35Z5-GT

**Phonola - Electrohome 1U51-D, 1U51-E-1,2,3,4,5,6,
 1U51-L-1, 1U51-P,1,2,3, 1U51-S, 1U51-S-3 & 1U51-D-3**

RCC - Phonola Data Sheet 173 - 1946-47



ALIGNMENT—PROCEED IN SEQUENCE LISTED.

Band	Band Switch Setting	Dummy Antenna	Connect Generator To	Radio Dial Setting	Generator Frequency	Trimmer Adjusted	Adjustment
2nd I.F.	B.C.	.1 Mfd.	Grid of 12.S.A.7 I.F. Tube	1650 K.C.	455 K.C.	2nd I.F. C-6	Maximum Output
1st I.F.	B.C.	.1 Mfd.	Grid of 12.S.A.7 Converter	1650 K.C.	455 K.C.	1st I.F. C-5	Maximum Output
1460 K.C.	B.C.	400 Ohm	Antenna	1460 K.C.	1460 K.C.	B.C. Osc. C-4 B.C. Ant. C-3	Maximum Output
600 K.C.	B.C.	400 Ohm	Antenna	600 K.C.	600 K.C.		Maximum Output

- IU51-D
- IU51-E ETC.
- IU51-L-1
- IU51-P
- IU51-P-1
- IU51-P-3
- IU51-P-2
- IU51-S
- IU51-S-3
- IU51-D-3

Electrohome

