

12SA7

12SK7

12SQ7

35Z5-GT

INT. FREQ. 455 K.C.

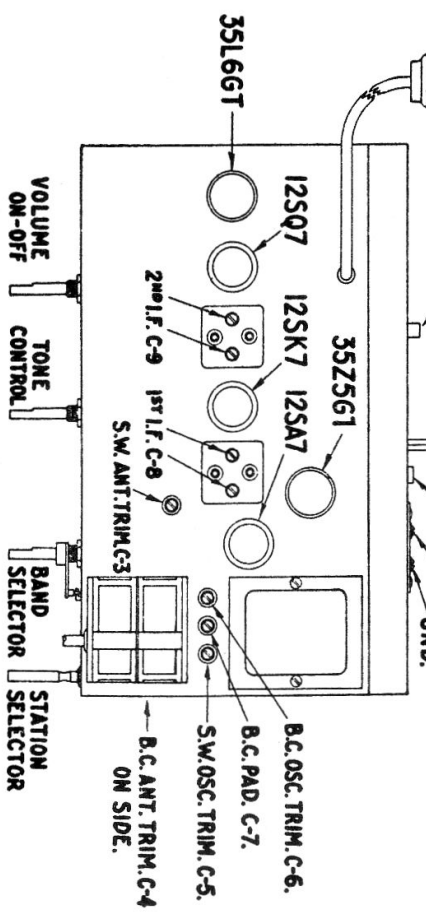
35Z5-6T

WIRING ON SPEAKER SIDE OF PLUG SHOWN IN DOTTED LINES.

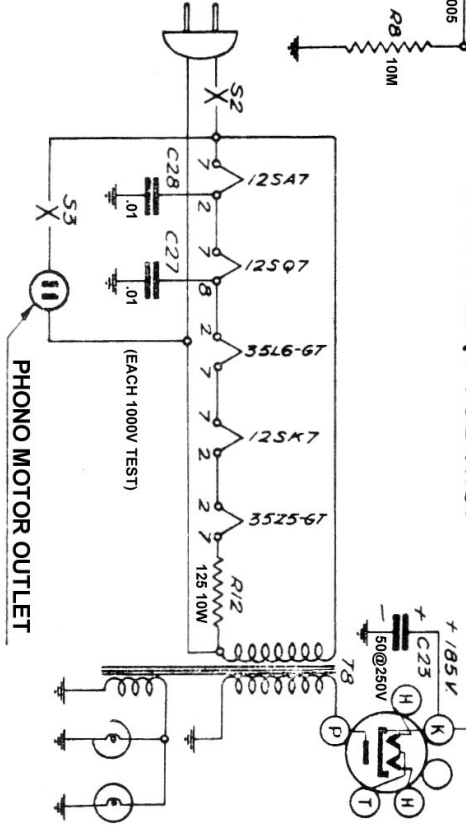
SWITCH SHOWN IN EXTREME COUNTER CLOCKWISE PHONO POSITION  
SEQUENCE: PHONO, B.C. S.W., MOVING FROM BOTTOM TO TOP.

**FOR ALIGNMENT SEE 1T52-E INFORMATION  
(PHONO DATA SHEET 164)**

# Phonola - Electrohome 1TC52-E & Z1TC52-E



118 V. A.C. SUPPLY FROM PHONO PICK-UP  
SPEAKER PLUG  
35L6GT  
12SQ7  
12SK7  
12SA7  
35Z5G1  
2nd LF C-9  
1st LF C-8  
S.W. ANT. TRIM C-3  
B.C. OSC. TRIM C-6  
B.C. PAD C-7  
S.W. OSC. TRIM C-5  
B.C. ANT. TRIM C-4  
VOLUME ON-OFF  
TONE CONTROL  
BAND SELECTOR  
STATION SELECTOR  
FROM PHONO SUPPLY TO 110 V. RECEPTACLE ANT. ANT. GND.  
FROM PHONO MOTOR FOR PHONO MOTOR ONLY



PHONO MOTOR OUTLET

(EACH 1000V TEST)