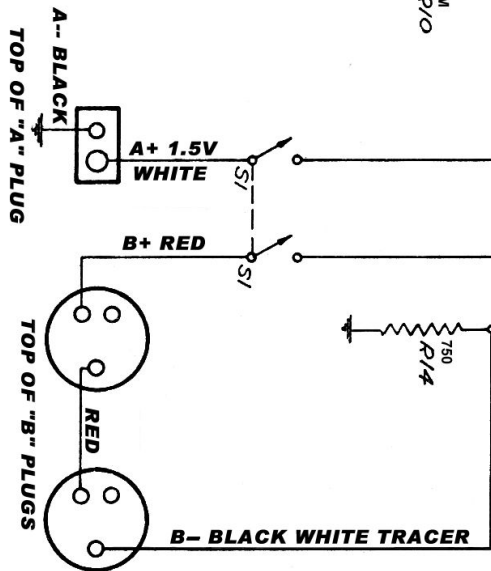
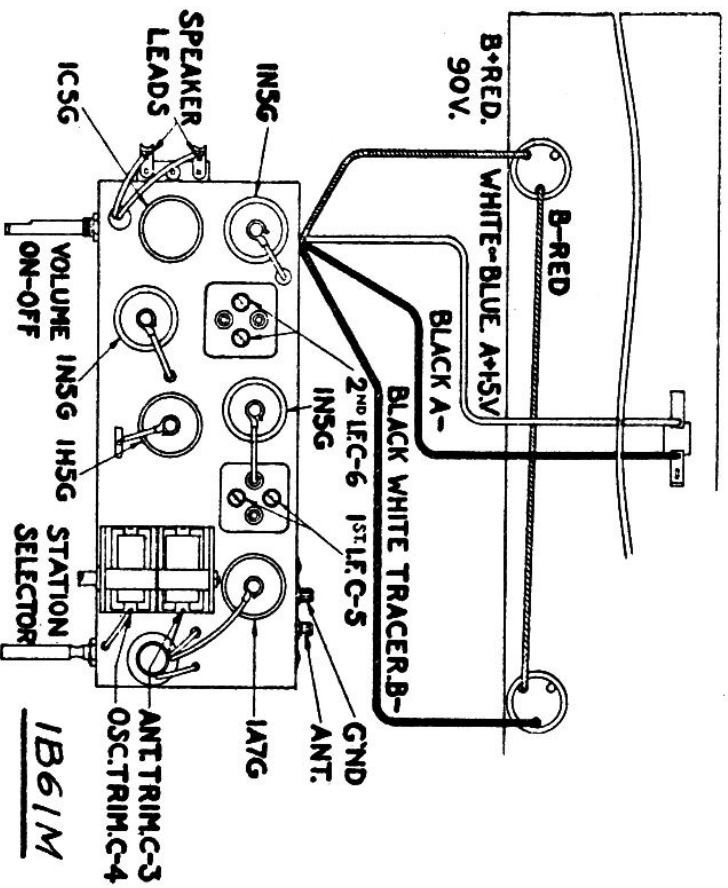
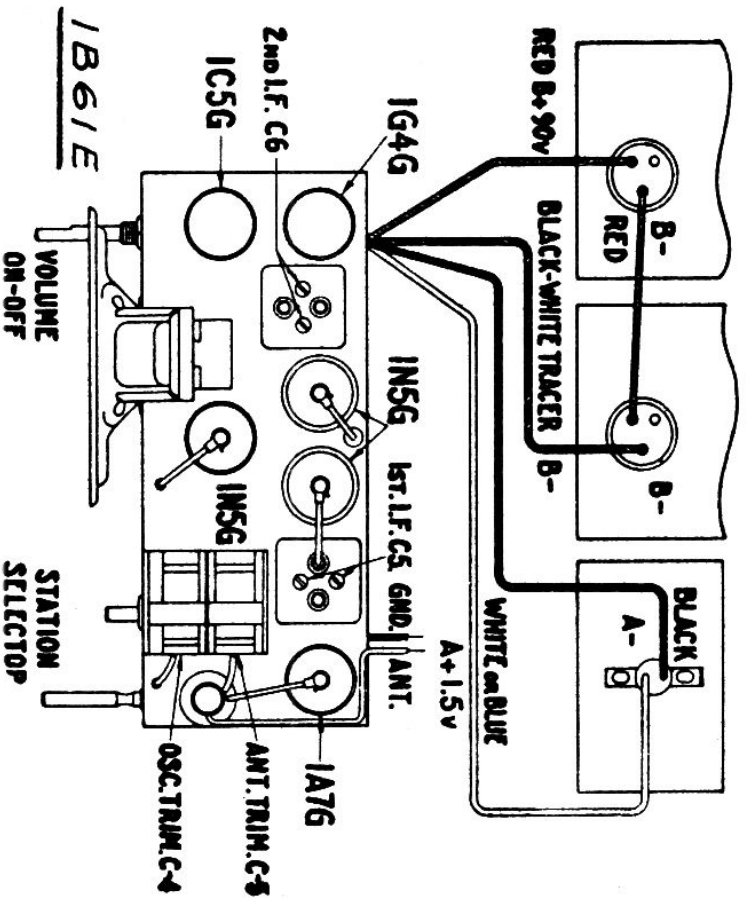


Phonola - Electrohome 1B61E & 1B61M

RCC - Phonola Data Sheet 178 - 1946-47





ALIGNMENT—PROCEED IN SEQUENCE LISTED.

Band	Band Switch Setting	Dummy Antenna	Connect Generator To	Radio Dial Setting	Generator Frequency	Trimmer Adjusted	Adjustment
2nd I.F.	B.C.	.1 Mfd.	Grid of I.N.5.G. I.F. Tube	1700 K.C.	455 K.C.	2nd I.F. C-6	Maximum Output
1st I.F.	B.C.	.1 Mfd.	Grid of I.A.7.G. Converter	1700 K.C.	1700 K.C.	1st I.F. C-5	Maximum Output
1460 K.C.	B.C.	200 Mmfd.	Antenna	1460 K.C.	1460 K.C.	B.C. Osc. C-4 B.C. Ant. C-3	Maximum Output
600 K.C.	B.C.	200 Mmfd.	Antenna	600 K.C.	600 K.C.	Check only	

Electrohorne

1B61E

1B61M