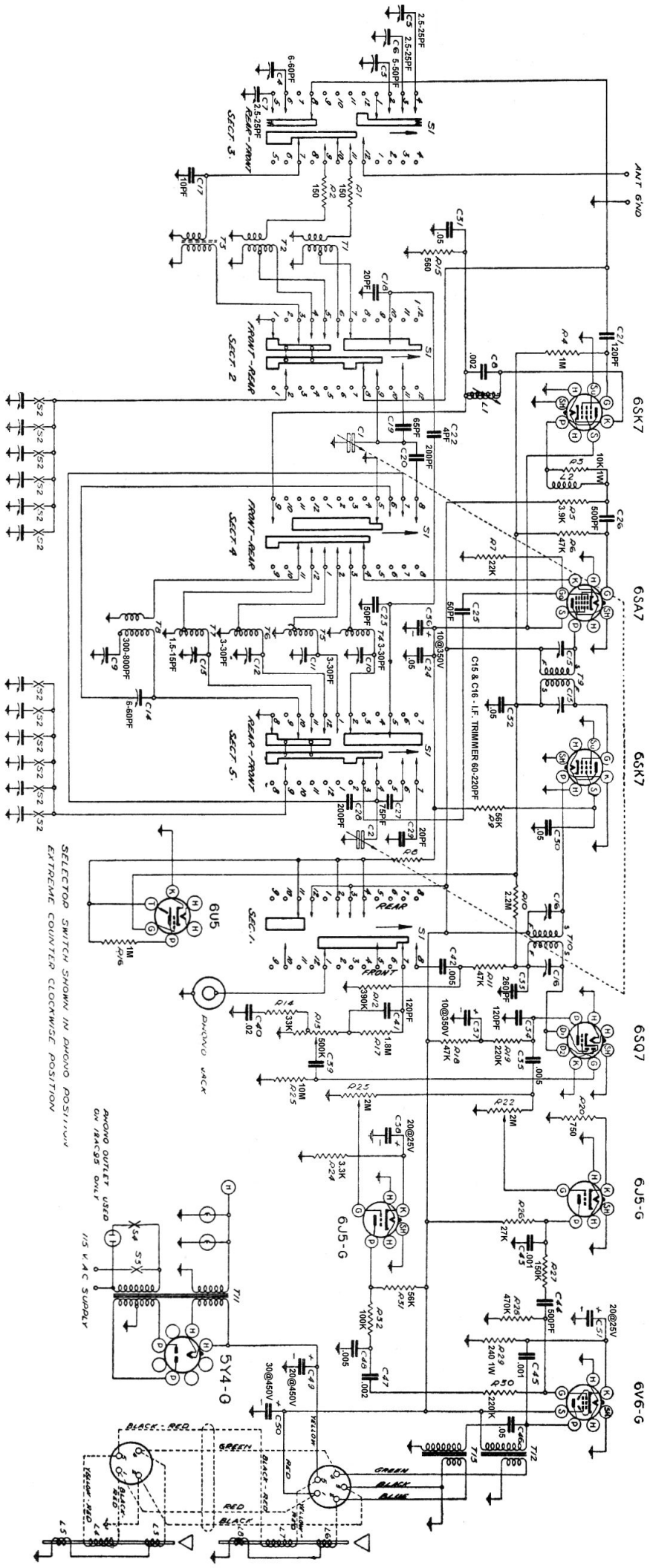


# Phonola - Electrohome 12A95-P, Z12A95-L & Z12AC95-P



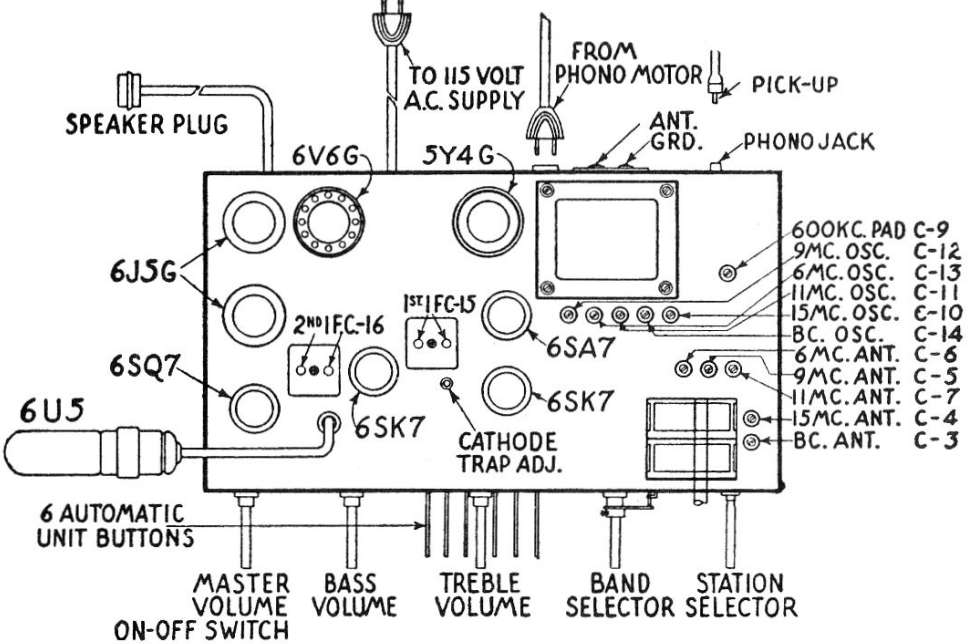
SELECTOR SWITCH SHOWN IN PHONO POSITION  
EXTREME COUNTER CLOCKWISE POSITION

PHONO OUTLET USED  
ON 12A95 ONLY

115 V A.C. SUPPLY



# Phonola - Electrohome 12A95-P, Z12A95-L & Z12AC95-P



Phonola - Data Sheet 170 - 1946-47

## ALIGNMENT—PROCEED IN SEQUENCE LISTED.

Band	Band Switch Setting	Dummy Antenna	Connect Generator To	Radio Dial Setting	Generator Frequency	Trimmer Adjusted	Adjustment
2nd I.F.	B.C.	.1 Mfd.	Grid of 12SK7 I.F. Tube	1650 K.C.	455 K.C.	2nd I.F. C-16	Maximum Output
1st I.F.	B.C.	.1 Mfd.	Grid of 12SA7 Converter	1650 K.C.	455 K.C.	1st I.F. C-15	Maximum Output
1460 K.C.	B.C.	75 Mmfd.	Antenna	1460 K.C.	1460 K.C.	B.C. Osc. C-14 B.C. Ant. C-3	Maximum Output
600 K.C.	B.C.	75 Mmfd.	Antenna	600 K.C.	600 K.C.	B.C. Pad C-9	Maximum Output
49 Meters	S.W.	250 Ohm	Antenna	6.10 M.C.	6.10 M.C.	6M.C. Osc. C-13 6M.C. Ant. C-6	Maximum Output
31 Meters	S.W.	250 Ohm	Antenna	9.55 M.C.	9.55 M.C.	9M.C. Osc. C-12 9M.C. Ant. C-5	Maximum Output
25 Meters	S.W.	250 Ohm	Antenna	11.85 M.C.	11.85 M.C.	11 M.C. Osc. C-11 Ant. C-7 11M.C. Ant. C-7	Maximum Output
19 Meters	S.W.	250 Ohm	Antenna	15.25 M.C.	15.25 M.C.	15 M.C. Osc. C-10 Ant. C-4 15M.C. Ant. C-4	Maximum Output