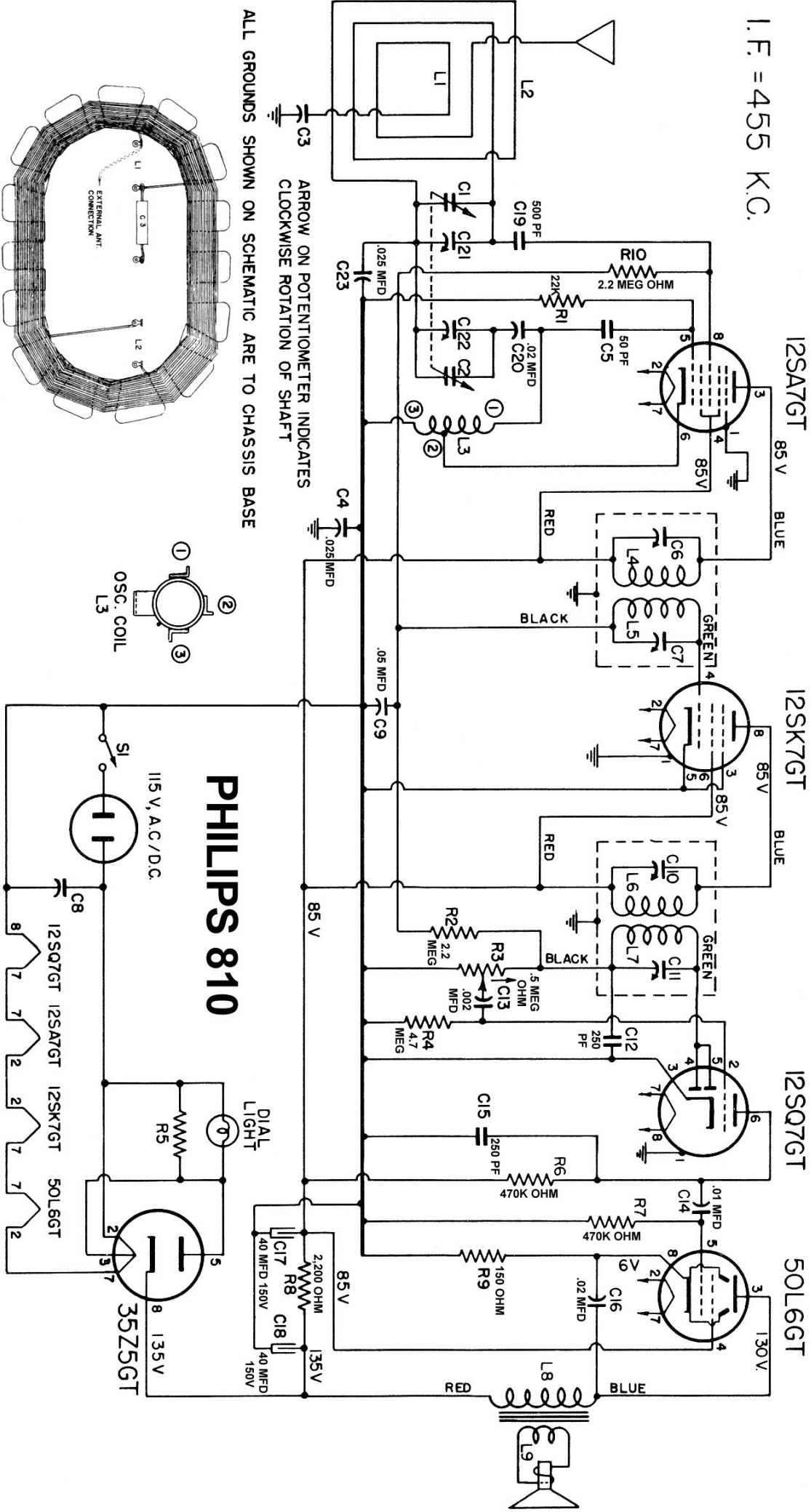
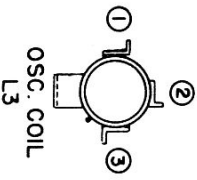
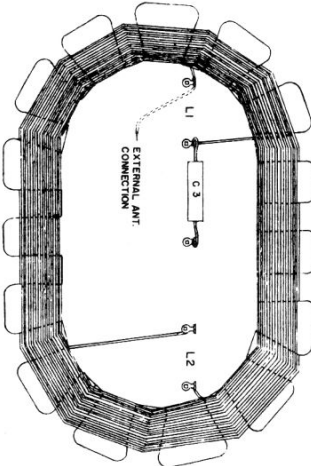


I.F. = 455 K.C.



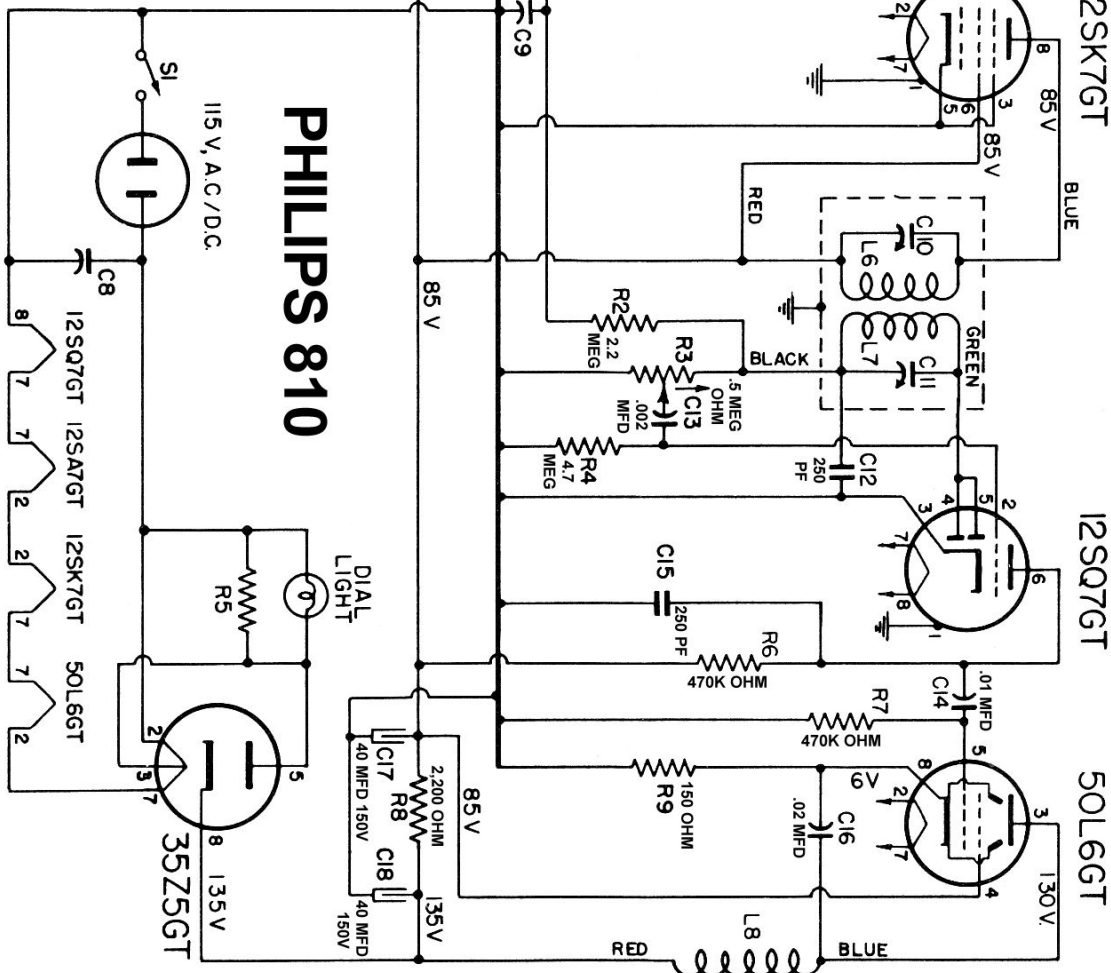
ALL GROUNDS SHOWN ON SCHEMATIC ARE TO CHASSIS BASE

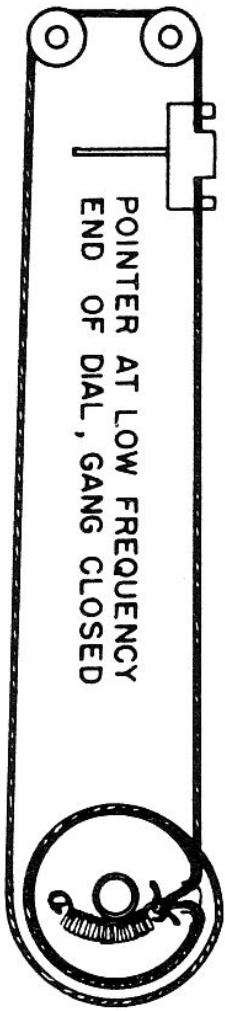
ARROW ON POTENTIOMETER INDICATES
CLOCKWISE ROTATION OF SHAFT



PHILIPS 810

115 V, A.C./D.C.





For the purpose of alignment the dial background, (painted white) is provided with three Calibration points:

- (1) With the tuning condenser closed (maximum capacity) adjust the pointer to the extreme left hand marker on the dial background.
- (2) Turn the tuning condenser until the pointer is at the extreme right hand marker: *proceed as follows:

PHILIPS 810

S I G N A L G E N E R A T O R		R E C E I V E R		
STEPS	Output connection to receiver	Frequency	Pointer setting	Adjust in stated order for maximum output
1	To Pin 8 of 12SA7GT through .1 mfd. capacitor	455 kc.	Extreme Right Hand Marker	I.F. Trimmers: C10-C11, C6-C7
2	To antenna lead through 200 mmf condenser	1400 kc.	Extreme Right Hand Marker	OSC Trimmer C22 ANT Trimmer C21

*NOTE: Second Marker from left hand end is used to check calibration at 600 kc.

