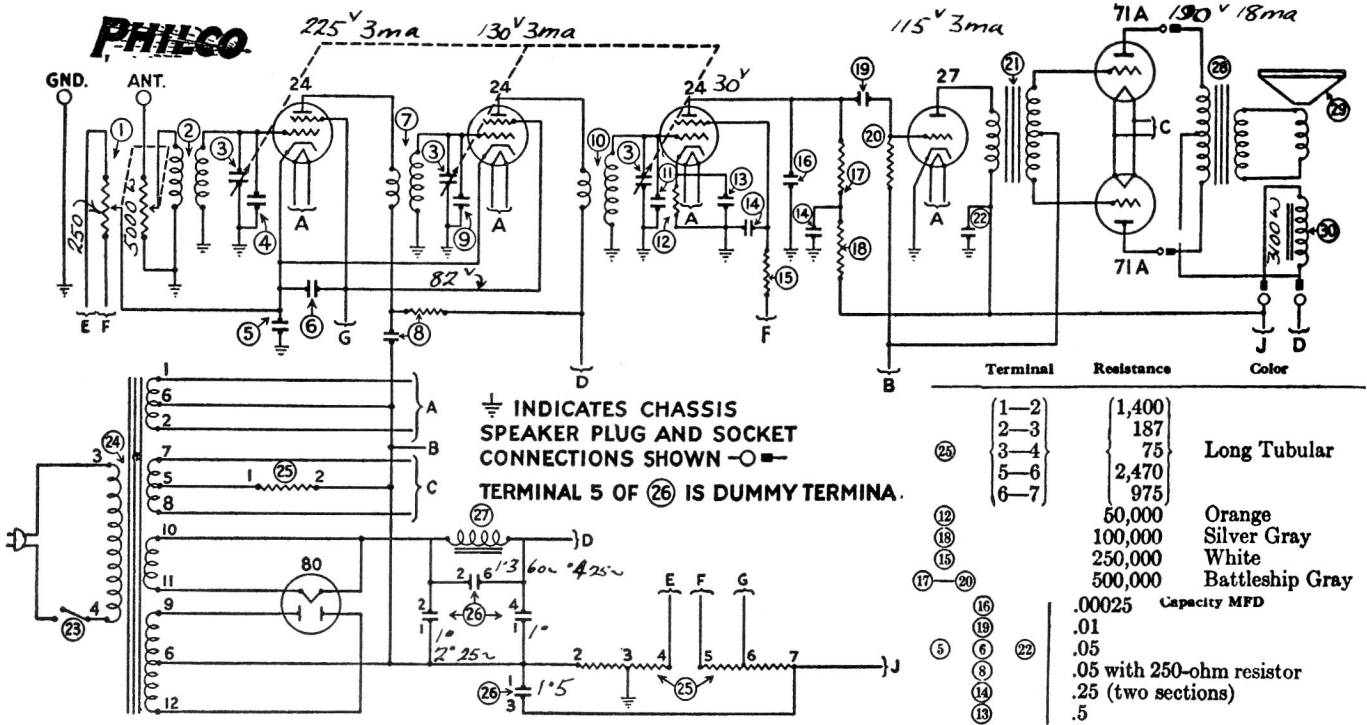


PHILCO



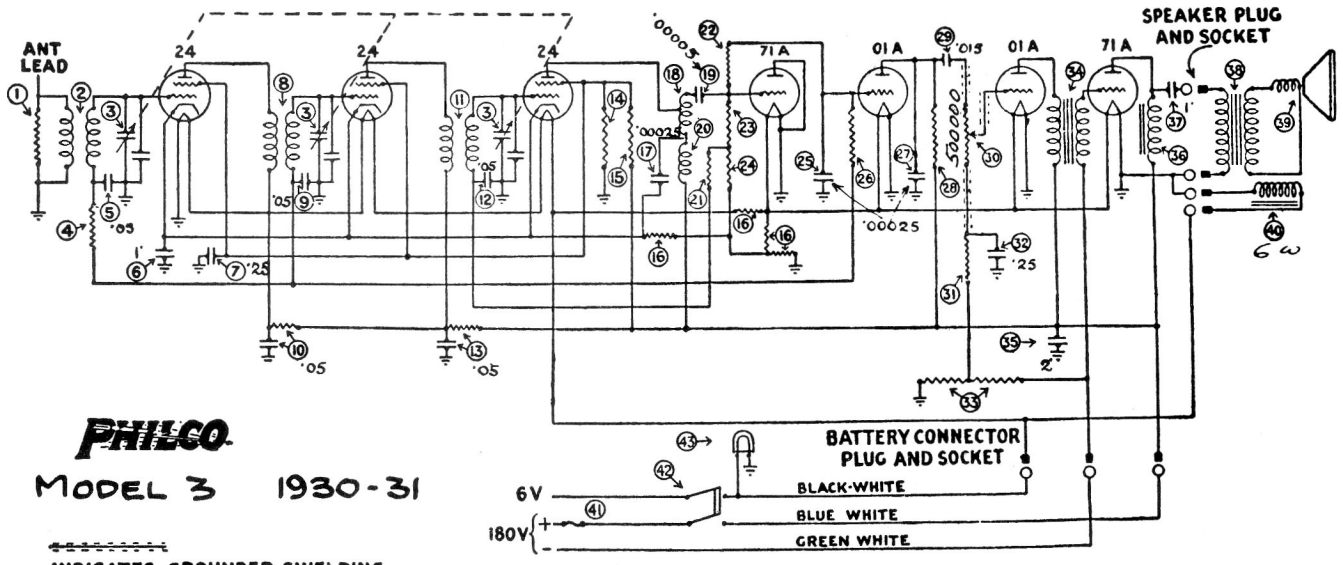
Tube	Type	Circuit	Filament Voltage	Plate Voltage	Grid Voltage	Screen Grid Voltage	Cathode Voltage	Plate Milliamperes
24	24	R. F.	2.3	250	3.0	90.0	11	4.5
24	24	Detector	2.3	35	1.0	2.0	8	...
27	27	1st Audio	2.3	120	1.0	...	8	3.0
71-A	71-A	(2d Audio)	5.0	215	50.0	...	8	18.0

**Models 20
and 20-A
1930-31**

Terminal	Resistance	Color	
1-2	1,400	Long Tubular	
2-3	187		
3-4	75		
5-6	2,470		
6-7	975		
12	50,000		Orange
18	100,000		Silver Gray
15	250,000	White	
17-20	500,000	Battleship Gray	
16	.00025	Capacity MFD	
19	.01		
6	.05		
9	.05 with 250-ohm resistor		
14	.25 (two sections)		
13	.5		

PHILCO

MODEL 3 1930-31



INDICATES GROUNDED SHIELDING

Resistance Data

Fig.	Resistance in Ohms
1	10,000
4-23-24-28	100,000
14	50,000
15	25,000
16	250-1-30-30
21-26	1,000,000
22-31	250,000
33	500-300
10-13	250

Tube Socket Readings

Type	Position	A	B	C	Screen	Mills
224	R.F.	2	150	2	80	1.5
171A	Det.-Rect.	5				
201A	Det.-Amp.	5	45	1		1
201A	1 A.F.	5	140	2.5		3
171A	2 A.F.	5	142	32		16

Printed in Canada

—Courtesy Philco Products Ltd. of Canada