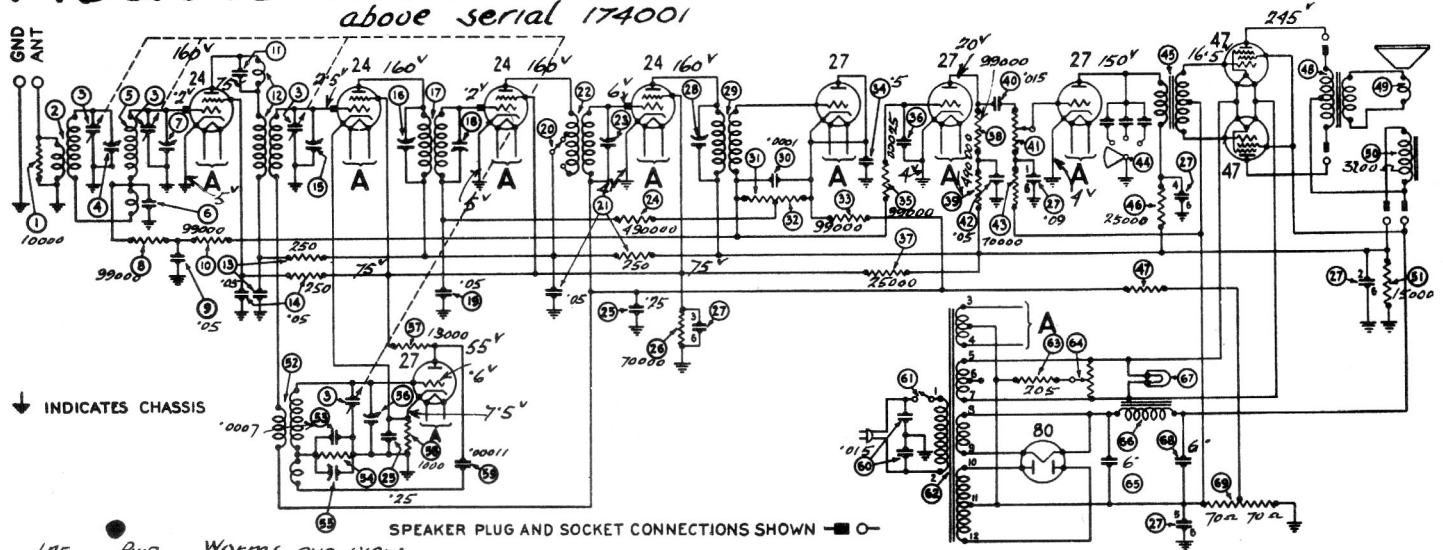


Models 112a-112a 1931-32 IF 175 kc

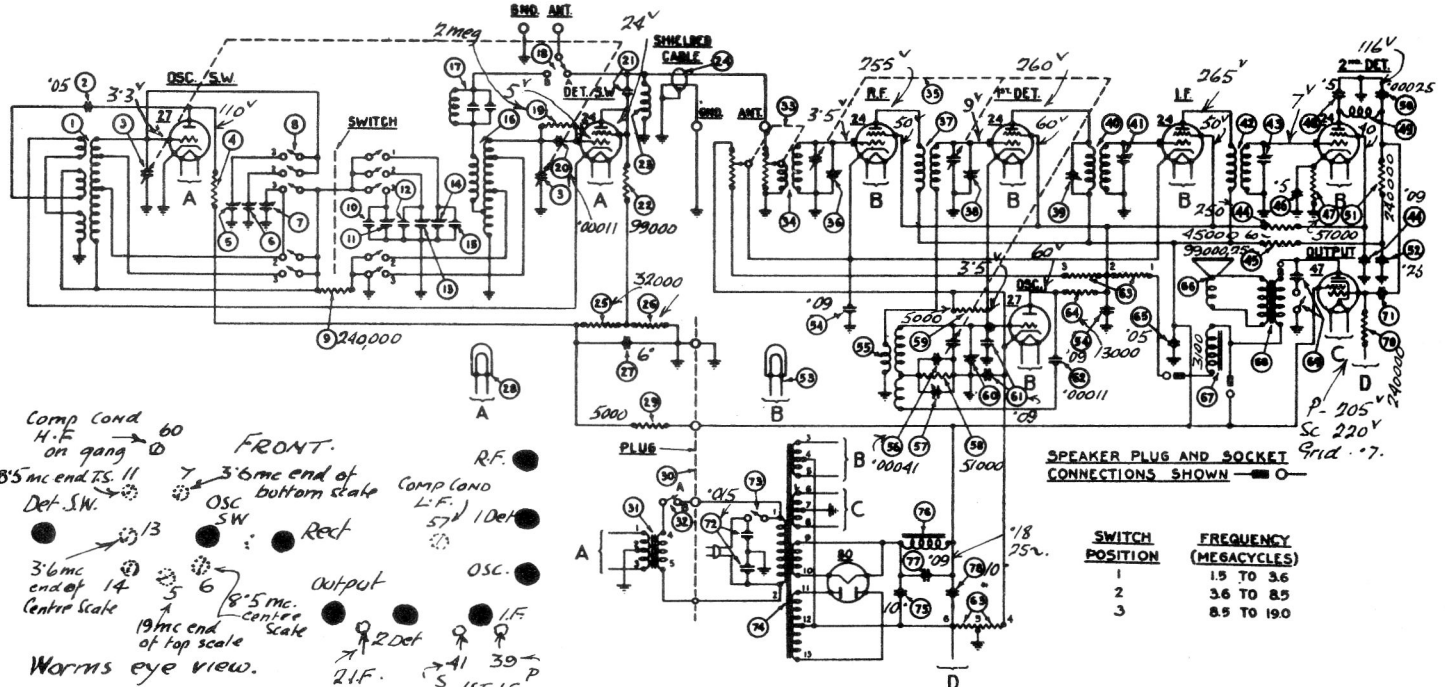
above serial 174001



- 1AF. Worms eye view.
- PWR. Showing location of compensators.
- 15. 18 16 56 55 57
- Def. Amp. 23 18 16 56 55 57
- 28 21F
- Det. Rect. 1AF. 1Det. OSC. R.F. Rect.

also see Data Sheet 9

Models 470-470a 1932 I.F. 260 Kc.



- Comp Cond 60 H.F. on gang 10
- 8.5mc end of 11 Det. SW.
- 3.6mc end of 14 Centre Scale
- 19mc end of top scale
- Worms eye view.
- FRONT.
- 3.6mc end of bottom state
- OSC. SW.
- Rect
- Output
- 2Det
- 21F.
- 5 1ST I.F.
- R.F.
- Comp Cond L.F.
- 57 1Det
- OSC.
- I.F.
- 41 39 P

SPEAKER PLUG AND SOCKET CONNECTIONS SHOWN

SWITCH POSITION	FREQUENCY (MEGACYCLES)
1	1.5 TO 3.6
2	3.6 TO 8.5
3	8.5 TO 19.0

Tube and alignment Condenser Locations.

DATA SHEET

PRINTED IN CANADA

COURTESY
PHILCO-23
PRODUCTS LTD.