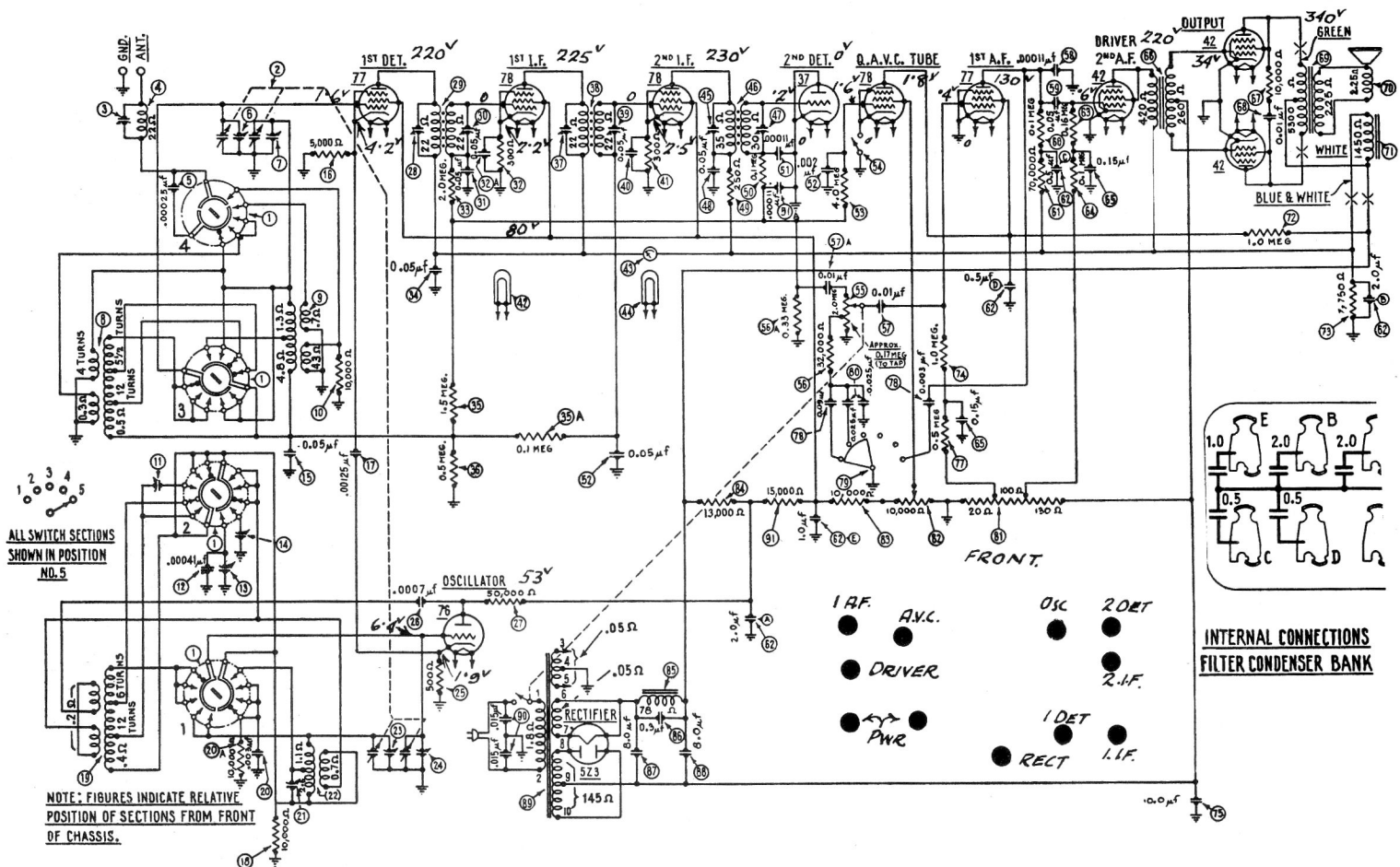
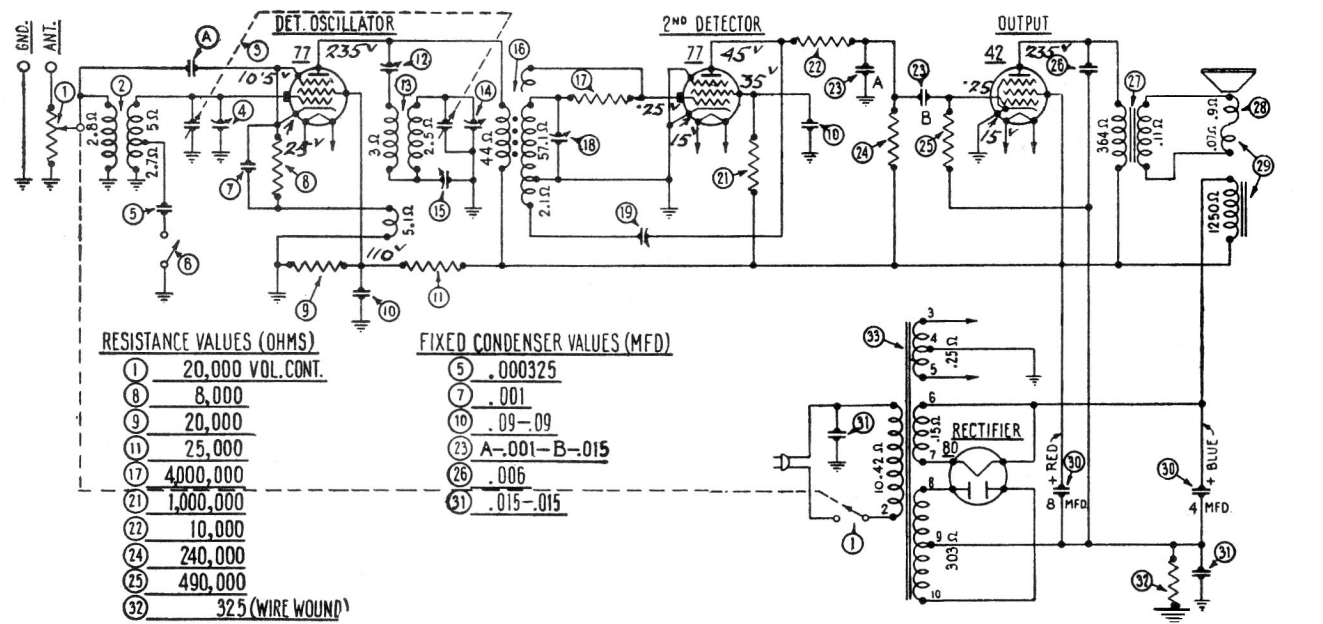


# Model-316 (u.s.A-16) 1933-34-35 IF. 460Kc.



# Models-357-358 (u.s.A. 57-58) 1933-34 IF 460 KC



Model 58 is a four tube superheterodyne receiver, very similar to Model 57  
 Note that the center tap of filament winding goes to —B instead of to ground  
 In the Model 58 one end of the oscillator pick-up coil goes directly to the cathode of the detector-oscillator tube, and the other end to the 8000 ohm resistor and .001 condenser, the other ends of these two units being grounded.

**DATA SHEET**

PRINTED IN CANADA

COURTESY  
**PHILCO-19**  
 PRODUCTS LTD.