

# Model 7

7	27	.00025
21	16	.0007
22	16	.002
225	27	.015
1,250	28	.05
5,000	28	.25
50,000	4	.25
99,000	18	.25, .5, 1.
490,000	20	

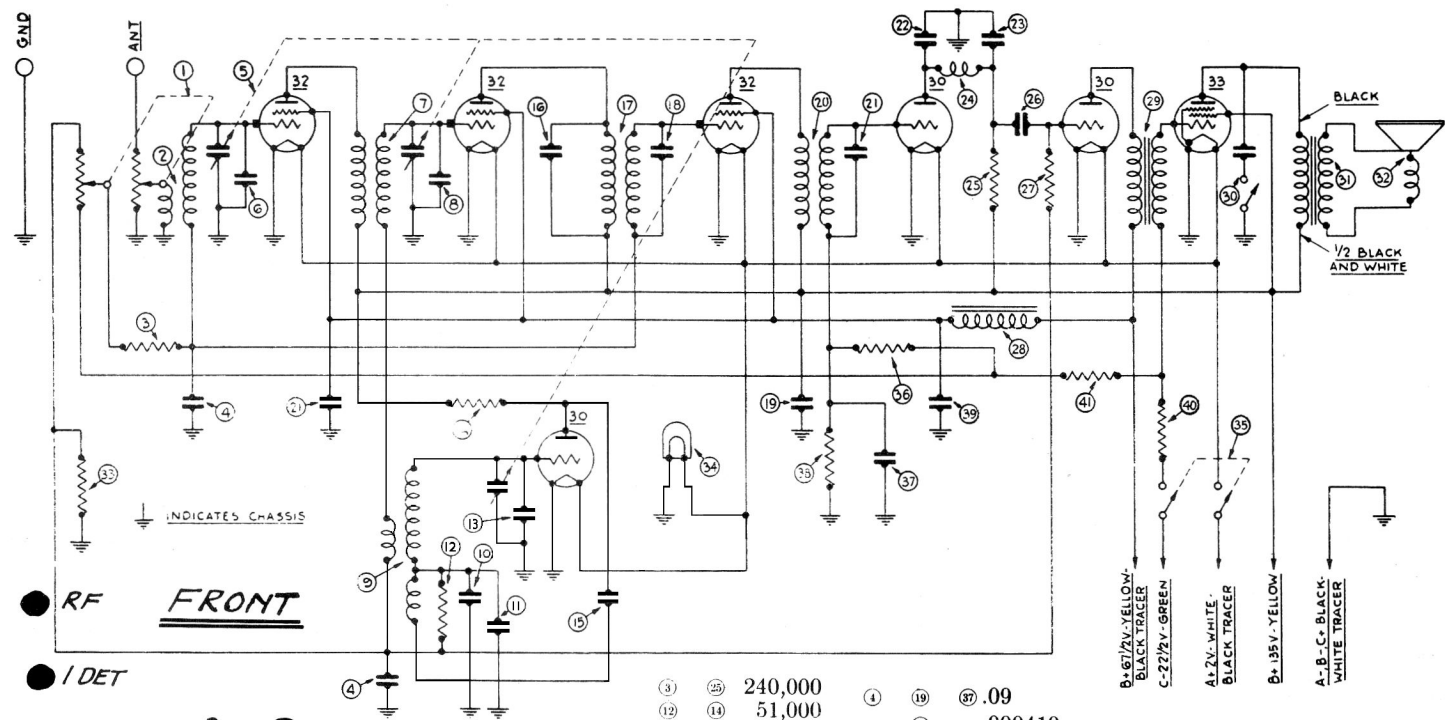
B + 67 1/2 V. GREEN & WHITE  
 B + 135 V. BLUE & WHITE  
 A ± 6 V. BLACK & WHITE  
 B- 43

● PWR FRONT  
 ● 2 DET 1932-33  
 ● IF ● DET-OSC ● RF

**I.F. 175.Kc**

Circuit	Plate Volts	Control Grid Volts	Screen Grid Volts	Cathode Volts	Plate Milli-Amperes
R.F.	129	0.0	61	0.0	2.8
Det.-Osc.	129	0.0	61	6.0	0.8
I.F.	129	0.0	61	0.5	2.0
2nd Det.	115	0.0	50	0.0	6.0
Output	125	0.0	129	11.0	6.0

Circuit	Filament Volts	Plate Volts	Grid Volts	Plate Current Milliamperes	Screen Grid Volts
R. F.	1.9	133	...	3.0	60
1st Det.	1.9	133	...	3.0	63
Osc.	1.9	60	...	1.5	...
I. F.	1.9	133	...	3.5	60
2nd Det.	1.9	55	2.5	.05	...
1st Audio	1.9	65	...	.05	...
Output	1.9*	125*	7*	12.*	135*



● RF FRONT  
 ● I DET  
 ● OSC PWR  
 ● IF 2DET IAF

**I.F. 260Kc**  
**1932-33**

3	25	240,000	19	37	.09
12	14	51,000	11		.000410
27		490,000	15		.000110
33		3,000			.002
36		32,000	22	28	.01
38		99,000	40		2.
40		5,000			
41		10,000			

B-67 1/2 V. YELLOW-BLACK TRACER  
 C-27 1/2 V. GREEN  
 A-2 V. WHITE-BLACK TRACER  
 B-135 V. YELLOW  
 A-B-C-BLACK-WHITE TRACER

# Philco Model 35