

- RF FRONT
 - 1DET RECT
 - OSC.
 - 2DET PWR
 - IF
- | | | |
|-----|----|---------|
| 11 | 27 | 50,000 |
| 14 | | 5,000 |
| 16 | | 13,000 |
| 32 | 35 | 250,000 |
| 33 | | 100,000 |
| 1-2 | | 1,060 |
| 2-3 | | 2,300 |
| 4-5 | | 70 |
| 5-6 | | 180 |
- | | |
|----|-----------|
| 21 | .09 |
| | .00041 |
| | .09 |
| | .00011 |
| | .05 |
| | .00005 |
| | .5 |
| | .0005 |
| | .00025 |
| | 250 Ohm I |
| | .01 |
| | .25 |
| | 6. 25~ |
| | 10. 25~ |
| | 6. |

Models 70 and 70-A

I.F. 260 Kc.

MODEL 270 AND 270-A RADIO-PHONOGRAPH

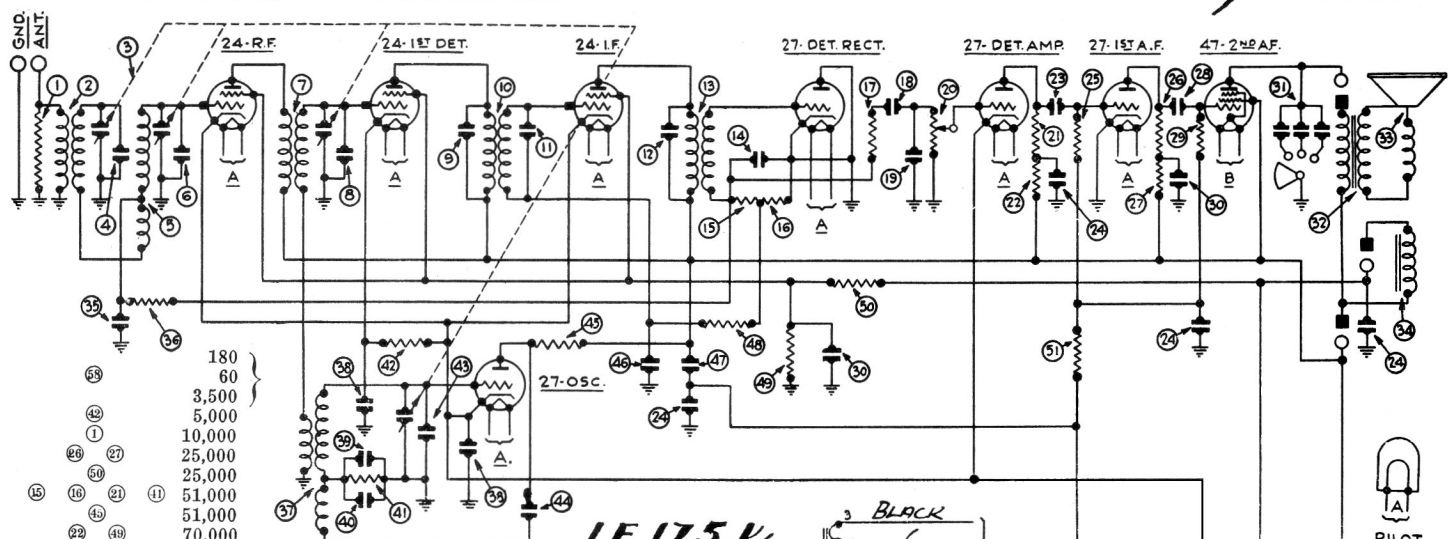
1931-32

Circuit	Plate Volts	Screen Grid Volts	Control Grid Volts	Cathode Volts	Plate Milli-amperes
1st R. F.	250	85	3.	19.5	3.
1st Det.	250	87	5.5	21.5	.5
Osc.	85	...	2.	19.5	2.5
1st I. F.	250	87	3.	19.5	3.
2nd Det.	105	75	6.	22.	.1
Audio	245	255	1.

Circuit	Plate Volts	Screen Grid Volts	Control Grid Volts	Cathode Volts	Plate Milliamperes
R. F.	255	60	.25	20	2.4
Osc.	656	20	3.6
1st Det.	250	64	6.0	24	.25
I. F.	270	76	.25	18	.4
Det. Rect.	0	...	0	17	0
Det. Amp.	1404	18	2.0
1st A. F.	454	20	1.8
Output	220*	240*	1.0*	..	32.*

All readings taken with antenna disconnected and ground on. Volume Control on full. *These readings must be taken from the underside of the chassis using test prods and leads unless the set checker is specially equipped for testing pendode tubes.

90-90A 175 Kc.



90 and 90-A

1931-32

I.F. 175 Kc.

- RF FRONT
 - OSC
 - 1DET RECT
 - 1AF PWR
 - 2DET DET AMP
 - IF DET-RECT
- | | | |
|----|----|--------------------|
| 14 | 44 | .00011 |
| 10 | | .00025 |
| 18 | 23 | .01 |
| 22 | 49 | .015 |
| 35 | 46 | .05 |
| 36 | 47 | .09 |
| 24 | | .1-13-.25-1. |
| 30 | | .25-1. |
| 56 | 57 | (50-60 Cycles) 6. |
| | | (25-40 Cycles) 10. |

Printed in Canada

DATA SHEET

NOTE.

MODEL 90 WITH 2-47'S IN OUTPUT HAS 260 Kc I.F.

—Courtesy Philco Products Ltd. of Canada

PHILCO-11