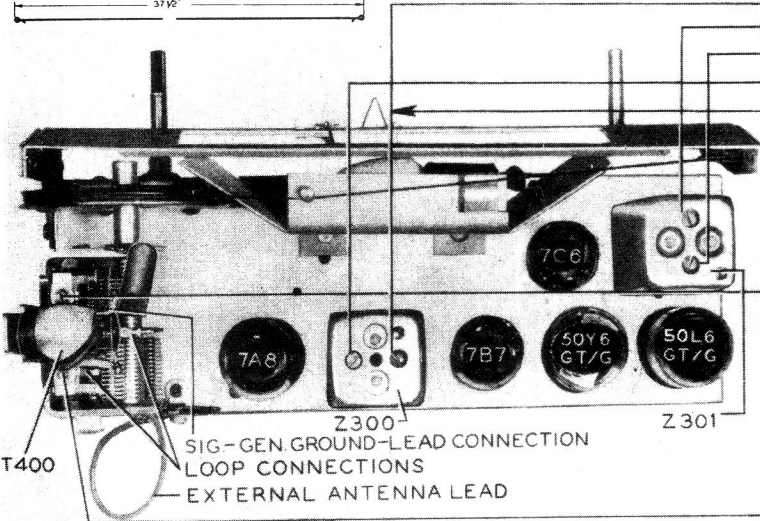
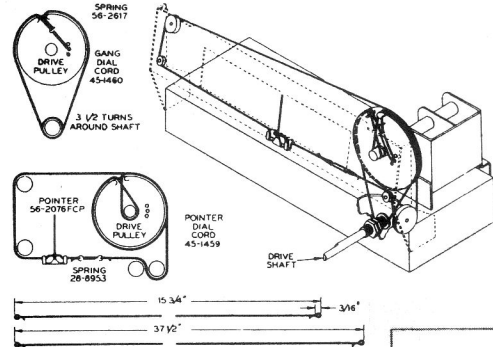


# 1946-47 MODEL 706

I.F. 460Kc.



	Adjust in Order	Signal Generator to Receiver	Dial Settings Sig. Gen. Receiver	
C300B	Fully tight	Through .05 mf. to external antenna lead, after disconnecting same from grounded point on chassis.	460 K.C.	Gang fully meshed
C301B	Max.			
C301A	Max.			
C300A	Max.			
C300B	Max.			
C401B	Max.	Through .05 mf. to external antenna lead.	1600 K.C.	1600 K.C.
C401A	Max.	Through .05 mf. to external antenna lead.	1500 K.C.	1500 K.C.