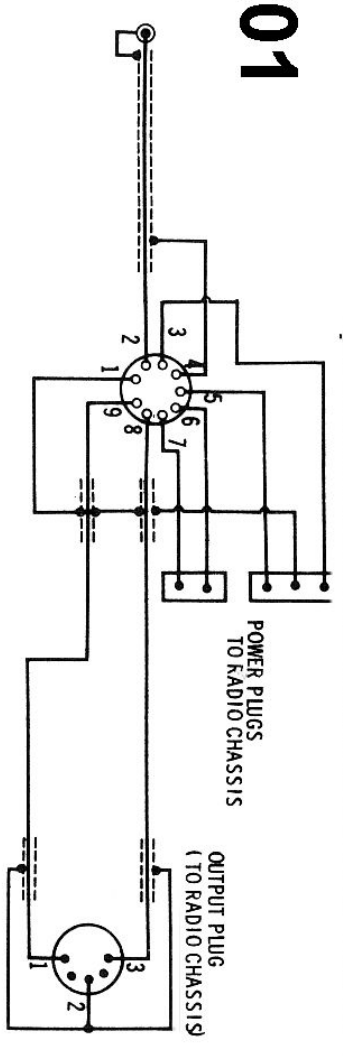


Nordmende MX-201



Nordmende MX-201 F.M. Stereo Multiplex Alignment

Use only enough generator output to provide a usable indication.
Suggested Alignment Tools: GENERAL CEMENT #5097, 8727.... WALSCO #2515

MULTIPLEX ALIGNMENT USING FM STEREO GENERATOR & AUDIO OSCILLATOR

SIGNAL GENERATOR COUPLING	INDICATOR	ADJUST	REMARKS
19KC to MPX Input, low side to chassis.	Vert. amp. of scope to point $\diamond A$, low side to chassis.	A1	Adjust for maximum.
"	Vert. amp. to point $\diamond B$, low side to chassis.	A2	"
67KC to MPX Input, low side to chassis.	Vert. amp. to point $\diamond B$, low side to chassis.	A3	Adjust for MINIMUM.
38KC to MPX Input, low side to chassis.	"	A4	Adjust for maximum.
15KC to MPX Input, low side to chassis.	Vert. amp. to point $\diamond C$, low side to chassis.	A5	"

