

SUPPLEMENTARY SERVICE INFORMATION

(Covering Models 921, 1121, 1321, 921A, 1121A, 1321A)

CHANGES SUGGESTED TO OBTAIN QUIET VOLUME CONTROL ACTION ON ABOVE MODELS

MODELS 921-921A—Remove the volume control K-3228 and replace by K-3858-2 volume control. The shaft of this control should be cut down $\frac{1}{8}$ inch.

Connect the two orange wires to the outside terminal and the green wire to the centre terminal the same as on the old control.

Remove the 1 megohm resistor from across the 100 mmf. mica capacitor on the terminal strip in the set, also remove the .02 mf. tubular capacitor from the same terminal strip and insert this capacitor between the brown lead coming from the Radio-Phono terminal strip (on rear of chassis) and the remaining outside terminal on the volume control. A single insulated standoff will be required for this and it should be mounted near the volume control.

Disconnect the green lead from the volume control at the terminal strip end and move it over two terminals to connect to the ungrounded end of the 100 mmf. mica capacitor.

Connect a $\frac{1}{2}$ megohm $\frac{1}{2}$ watt resistor (K-2226-3) between the two outside terminals on the radio-phonon terminal strip.

♦ ♦ ♦

MODELS 1121-1321-1121A-1321A—Remove the volume control K-3228 and replace by K-3858-2 volume control. The shaft length should first be cut down $\frac{1}{8}$ inch.

Connect the outside terminal to ground as in the old control. Remove the .02 mf. tubular capacitor between the centre terminal and No. 6 terminal on the adjacent 6F5 tube socket and connect these two points directly together.

Remove the 2 megohm resistor connected between terminal No. 6 and ground.

Insert the .02 mf. capacitor between the remaining outside terminal on the volume control and the brown shielded lead coming from the outside terminal on the radio-phonon terminal strip (on rear of chassis). A single insulated standoff will be required for this and it should be mounted near the volume control. Connect a $\frac{1}{2}$ megohm $\frac{1}{2}$ watt resistor (K-2226-3) between the two outside terminals on the radio-phonon terminal strip.

♦ ♦ ♦

The following new parts are required for all above models.

- | | |
|---|--|
| 1—K-3858-2 Volume control, 2 meg. | 1—K-2594 Single stand-off insulator |
| 1—K-2226-3 Resistor, $\frac{1}{2}$ meg, $\frac{1}{2}$ watt. | 1—K-2804-1 Screw No. 6 x $\frac{3}{16}$ P.K. |

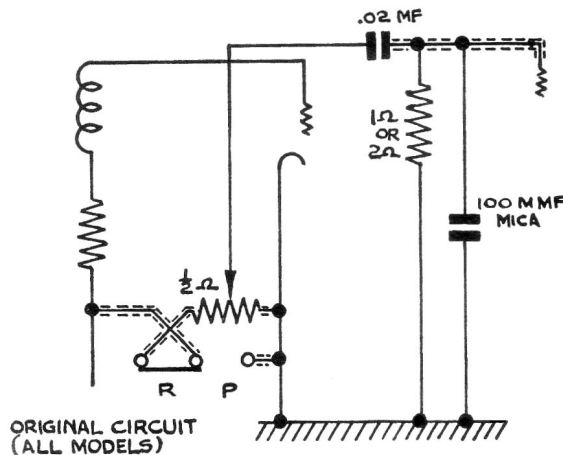


Figure 1—Original Circuit

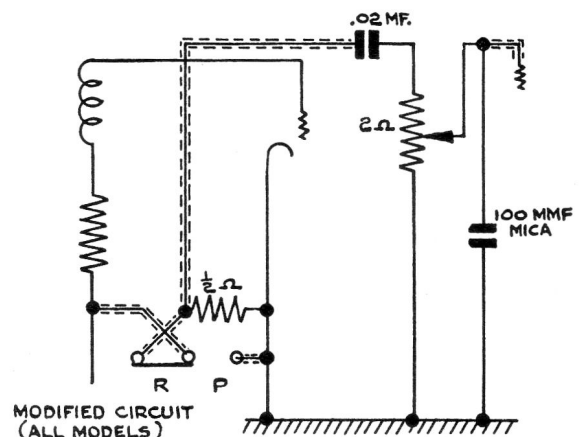


Figure 2—Modified Circuit