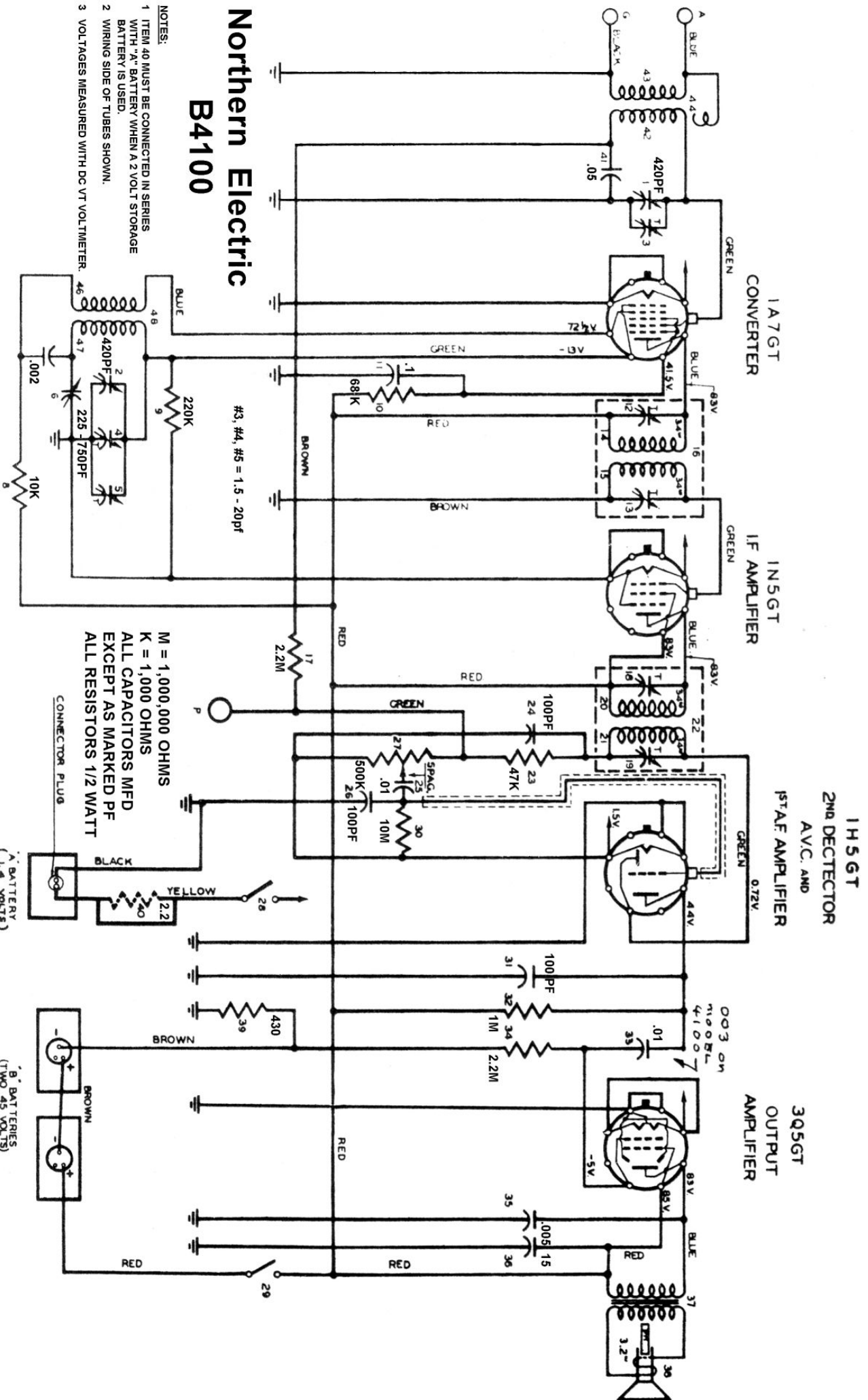


Northern Electric B4100



NOTES:

- 1 ITEM 40 MUST BE CONNECTED IN SERIES WITH "A" BATTERY WHEN A 2 VOLT STORAGE BATTERY IS USED.
- 2 WIRING SIDE OF TUBES SHOWN.
- 3 VOLTAGES MEASURED WITH DC VT VOLTMETER.

M = 1,000,000 OHMS
 K = 1,000 OHMS
 ALL CAPACITORS MFD
 EXCEPT AS MARKED PF
 ALL RESISTORS 1/2 WATT

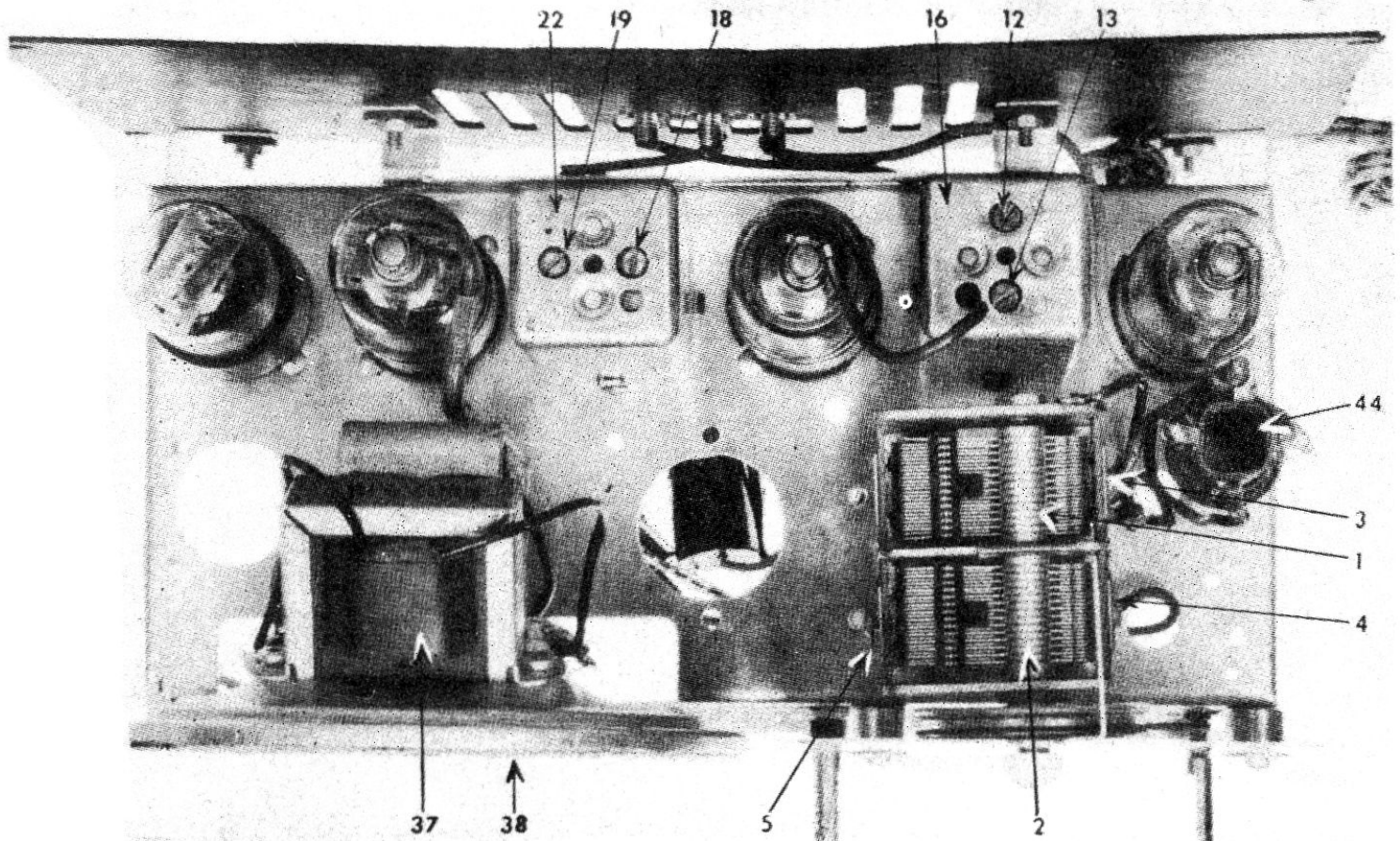
CONNECTOR PLUG

"A" BATTERY
 (1.4 VOLTS)

"B" BATTERIES
 (TWO 45 VOLTS)

Northern Electric B4100

Battery Operated Radio Service Data



Alignment Frequency	Dummy Antenna	Receiver Connection	Items to be Adjusted for Maximum output and their location
I.F. 455 KC	0.1 Mfd. (Paper)	1A7GT Grid Cap	I.F. Trimmers, Items 18, 19, 13 and 14 on I.F. cans (tuning gang open)
B.C. 1400 KC	100 Mmf (Mica)	Antenna Terminal	Oscillator trimmers on gang items 4 and 5, antenna trimmer on gang, item 3.
B.C. 600 KC	100 Mmf (Mica)	Antenna Terminal	Oscillator lag trimmer, item 6, adjust while rocking gang. Recheck at 1400 KC

IMPORTANT NOTE:—When a 2-volt storage battery is used, a 2.2 ohm resistor, item 40, must be installed as shown.