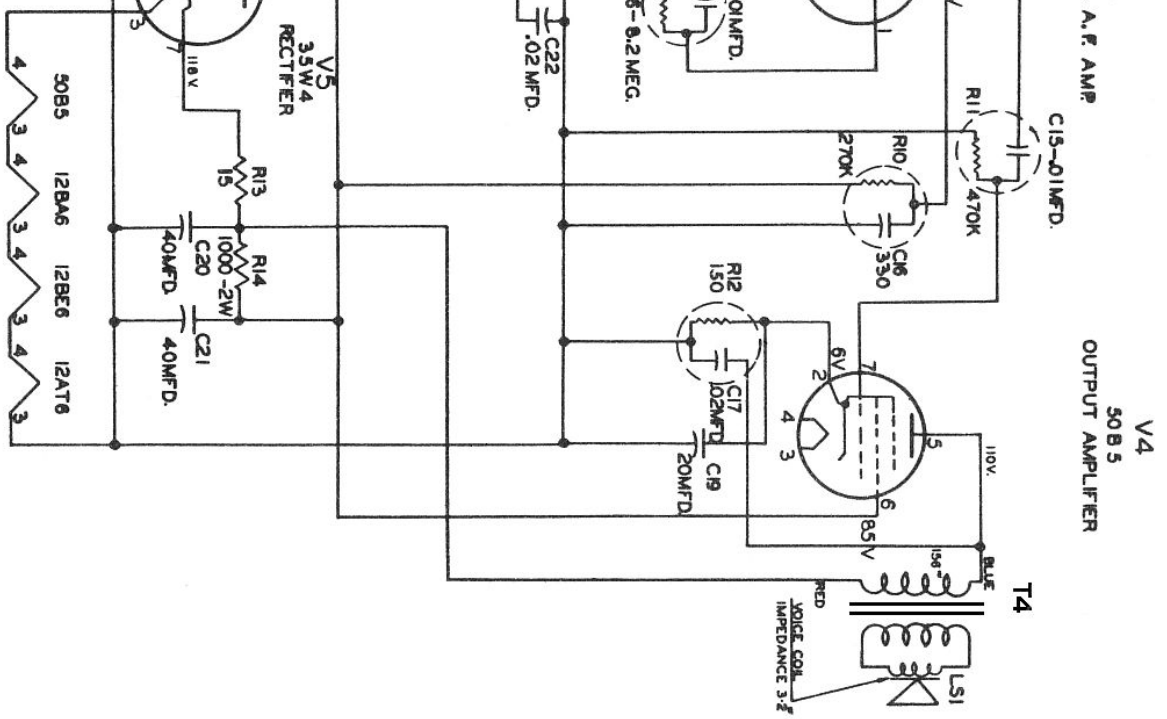


Northern Electric 5404





Northern Electric 5404

Alignment procedure should be carried out according to the following table and in the order shown.

Alignment Frequency	Dummy Antenna	Receiver Connection	Items to be adjusted for max. output and their location
I.F. 455 kc	.1 uf	Rear Section of Gang	Tuning slugs in I.F. Transformer T3 with gang open using a non-metallic alignment tool.
R.F. 600 kc	1000 ohm	Antenna Lead	Set dial indicator to 600 kc indication point on left side of dial plate. Adjust tuning slug in oscillator coil T2.
R.F. 1400 kc	1000 ohm	Antenna Lead	Set dial indicator to 1400 kc indication point on right side of dial plate. Adjust trimmer C5 on front section of gang.
R.F. 600 kc	1000 ohm	Antenna Lead	Set dial indicator to 600 kc indication point. Readjust tuning slug in oscillator coil T2.
R.F. 1400 kc	1000 ohm	Antenna Lead	Set dial indicator to 1400 kc indication point. Readjust trimmer C5 on front section of gang. Adjust trimmer C2 on rear section of gang.

