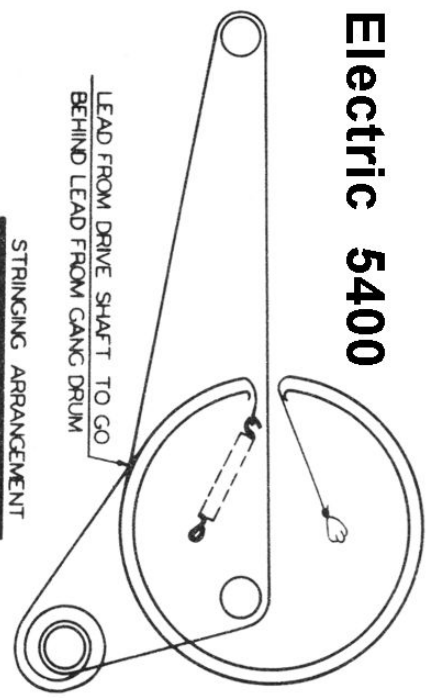
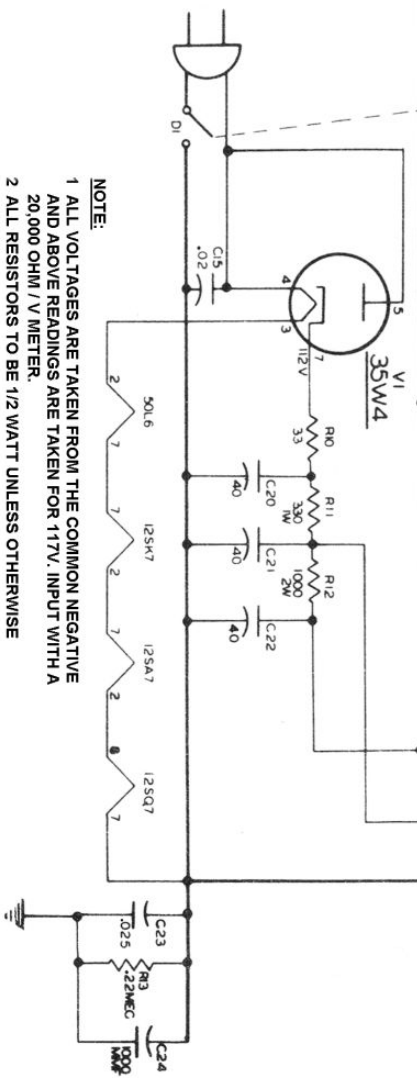


Northern Electric 5400



- NOTE:**
- 1 ALL VOLTAGES ARE TAKEN FROM THE COMMON NEGATIVE AND ABOVE READINGS ARE TAKEN FOR 117V. INPUT WITH A 20,000 OHM / V METER.
 - 2 ALL RESISTORS TO BE 1/2 WATT UNLESS OTHERWISE STATED.
 - 3 ALL CAPACITANCE VALUES IN MFD UNLESS OTHERWISE STATED.





Northern Electric 5400

ALIGNMENT

Alignment procedure should be carried out according to the following table and in the order shown.

<i>Alignment Frequency</i>	<i>Dummy Antenna</i>	<i>Receiver Connection</i>	<i>Items to be adjusted for maximum output and their location.</i>
I.F. 455 KC	.1Mfd. (Paper)	Antenna Section Gang	I.F. Trimmers, items C8, C9, C10 and C11 on I.F. Transformers (tuning gang open)
B.C. 1400 KC	100 Mmf (Mica)	Antenna Wire	(a) Oscillator trimmers on gang, C4 and C26. (b) Antenna trimmer on gang C3.
B.C. 600 KC	100 Mmf (Mica)	Antenna Wire	Oscillator lag trimmer C5. Recheck at 1400 KC.

