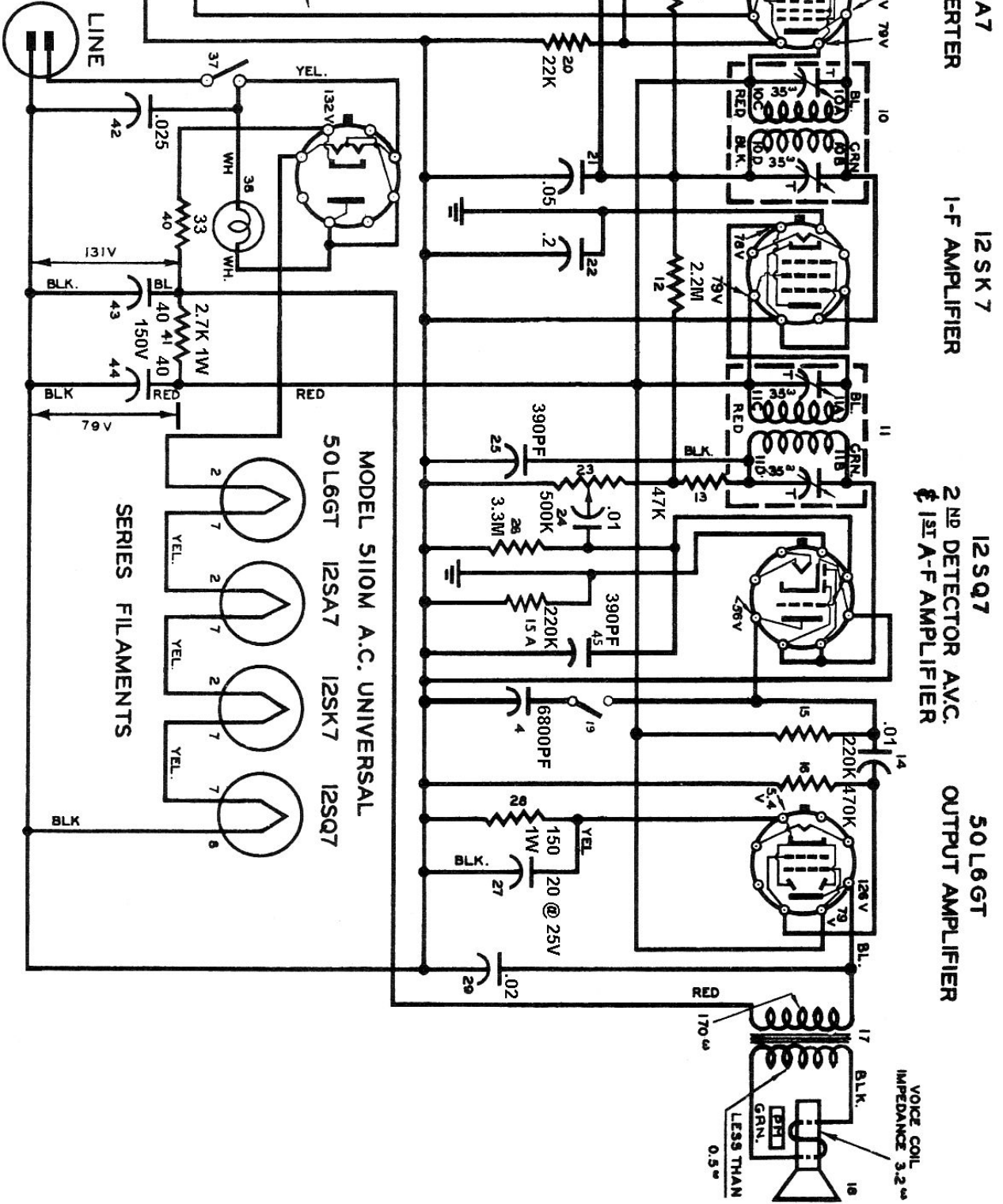
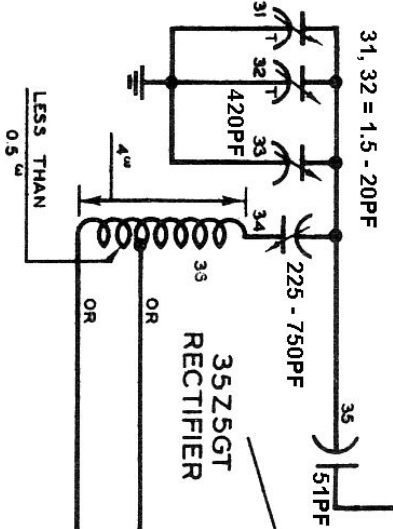


**NORTHERN ELECTRIC  
5110M**



M = 1,000,000 OHMS  
K = 1,000 OHMS  
ALL CAPACITORS MFD  
EXCEPT AS MARKED PF  
ALL RESISTORS 1/2 WATT  
EXCEPT AS NOTED





## ALIGNMENT

## Northern Electric 5110M

Alignment procedure should be carried out according to the following table and in the order shown.

<i>Alignment Frequency</i>	<i>Dummy Antenna</i>	<i>Receiver Connection</i>	<i>Items to be adjusted for maximum output and their location.</i>
I.F. 455 KC	.1 Mfd (Paper)	Antenna Section Gang	I.F. Trimmers, items 10A, 10B, 11A and 11B, on I.F. Transformers (tuning gang open)
B.C. 1400 KC	50 Mmf (Mica)	Antenna Terminal	(a) Oscillator trimmers on gang, 31 and 32 (b) Antenna trimmer on gang 7.
B.C. 600 KC	50 Mmf (Mica)	Antenna Terminal	Oscillator lag trimmer 34. Recheck at 1400 KC.

