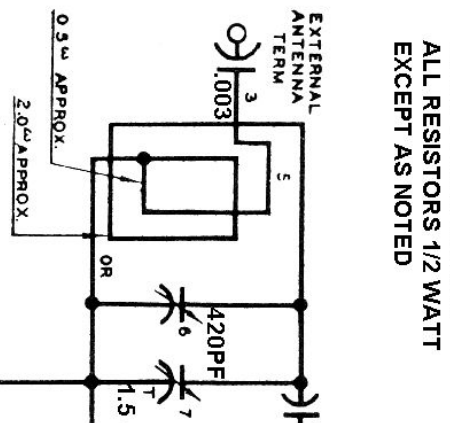
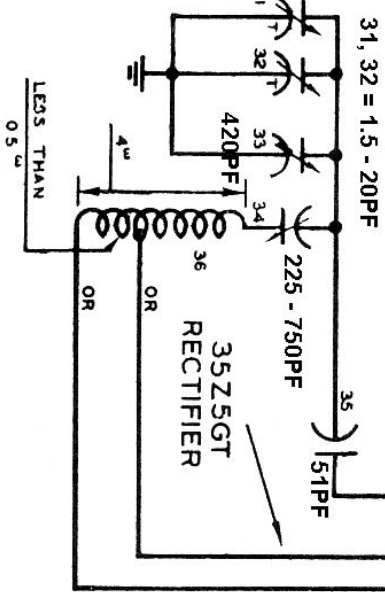


12 SA7 CONVERTER
 12 SK7 I-F AMPLIFIER
 12 SQ7 2ND DETECTOR A.V.C. & 1ST A-F AMPLIFIER
 50L6GT OUTPUT AMPLIFIER

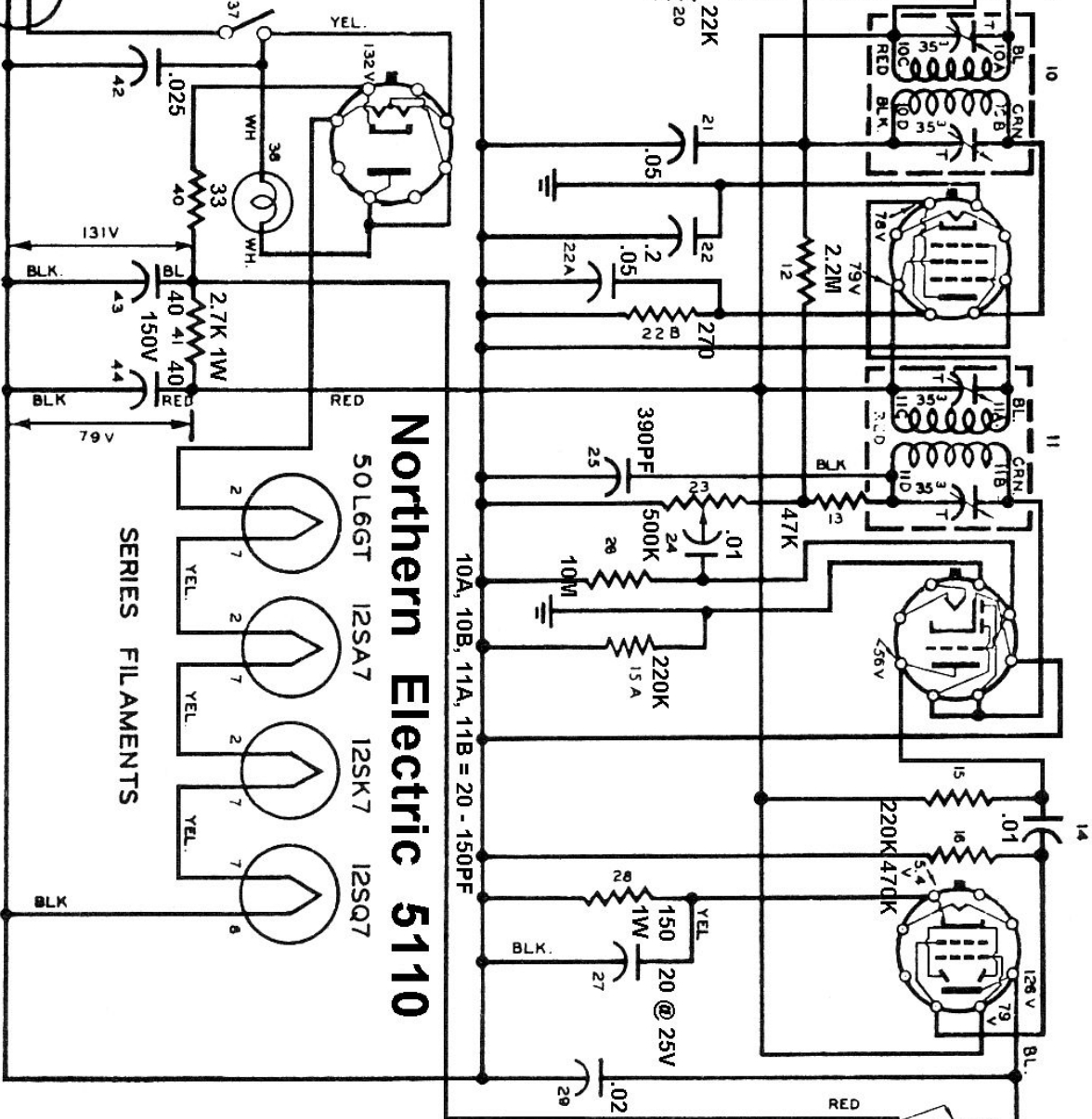
M = 1,000,000 OHMS
 K = 1,000 OHMS
 ALL CAPACITORS MFD
 EXCEPT AS MARKED PF
 ALL RESISTORS 1/2 WATT
 EXCEPT AS NOTED



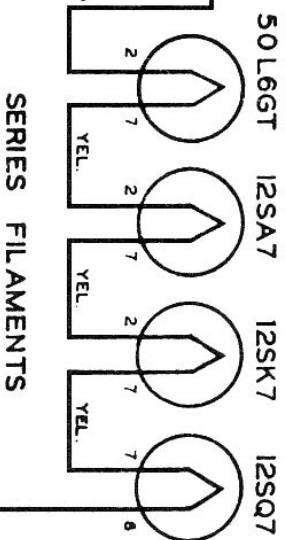
NOTES
 1- ALL VOLTAGES ARE READ FROM COMMON NEGATIVE LEAD USING A 20,000-V METER
 2- LINE VOLTAGE IS 117 VOLTS DURING VOLTAGE MEASUREMENTS.
 3- WIRING SIDE OF TUBES SHOWN.



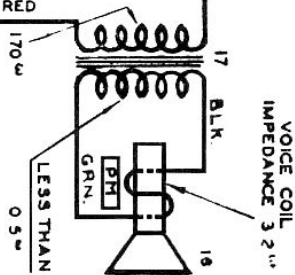
LINE



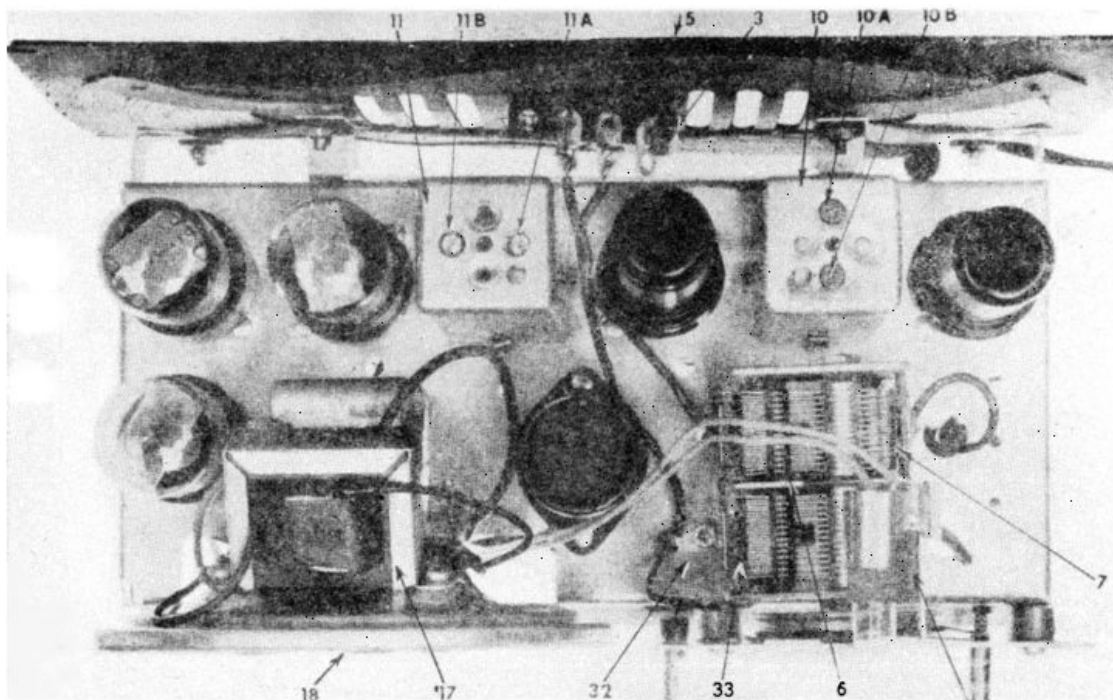
Northern Electric 5110



SERIES FILAMENTS



VOICE COIL IMPEDANCE 3.2 Ω



ALIGNMENT Northern Electric 5110

Alignment procedure should be carried out according to the following table and in the order shown.

Alignment Frequency	Dummy Antenna	Receiver Connection	Items to be adjusted for maximum output and their location.
I.F. 455 KC	.1 Mfd (Paper)	Antenna Section Gang	I.F. Trimmers, items 10A, 10B, 11A and 11B, on I.F. Transformers (tuning gang open)
B.C. 1400 KC	100 Mmf (Mica)	Antenna Terminal	(a) Oscillator trimmers on gang, 31 and 32. (b) Antenna trimmer on gang 7.
B.C. 600 KC	100 Mmf (Mica)	Antenna Terminal	Oscillator lag trimmer 34. Recheck at 1400 KC