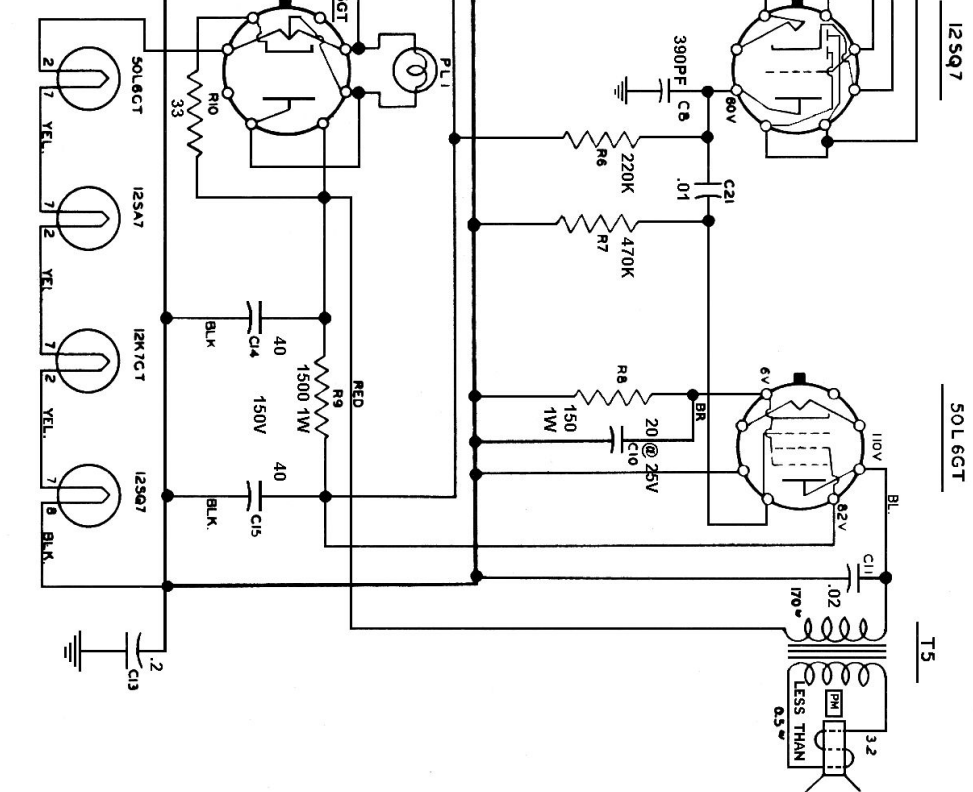
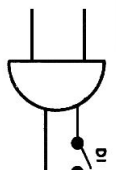


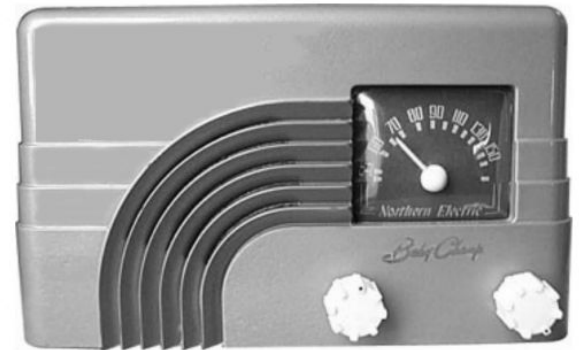
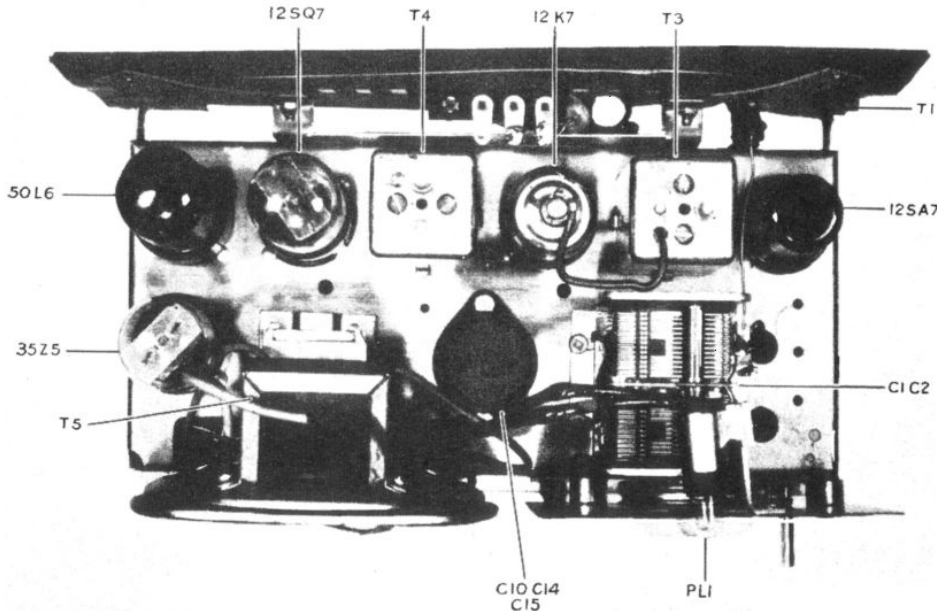
M - 1,000,000 OHMS
 K - 1,000 OHMS
 ALL CAPACITORS MFD
 UNLESS MARKED PF
 ALL RESISTORS 1/2 WATT
 UNLESS OTHERWISE MARKED

Northern Electric 5104

"Baby Champ"



Northern Electric 5104



ALIGNMENT

Alignment procedure should be carried out according to the following table and in the order shown.

Alignment Frequency	Dummy Antenna	Receiver Connection	Items to be Adjusted for Maximum output & their location
I. F. 455 KC	0.1 Mfd. (Paper)	Antenna Section Gang	I. F. Trimmers, C17, C18, C19, C20 on I. F. cans (tuning gang open)
B. C. 1400 KC	100 Mmf (Mica)	Antenna Terminal	Oscillator trimmers on gang antenna trimmer on gang.
B. C. 600 KC	100 Mmf (Mica)	Antenna Terminal	Oscillator lag trimmer, C5 adjust while rocking gang. Recheck at 1400 KC.