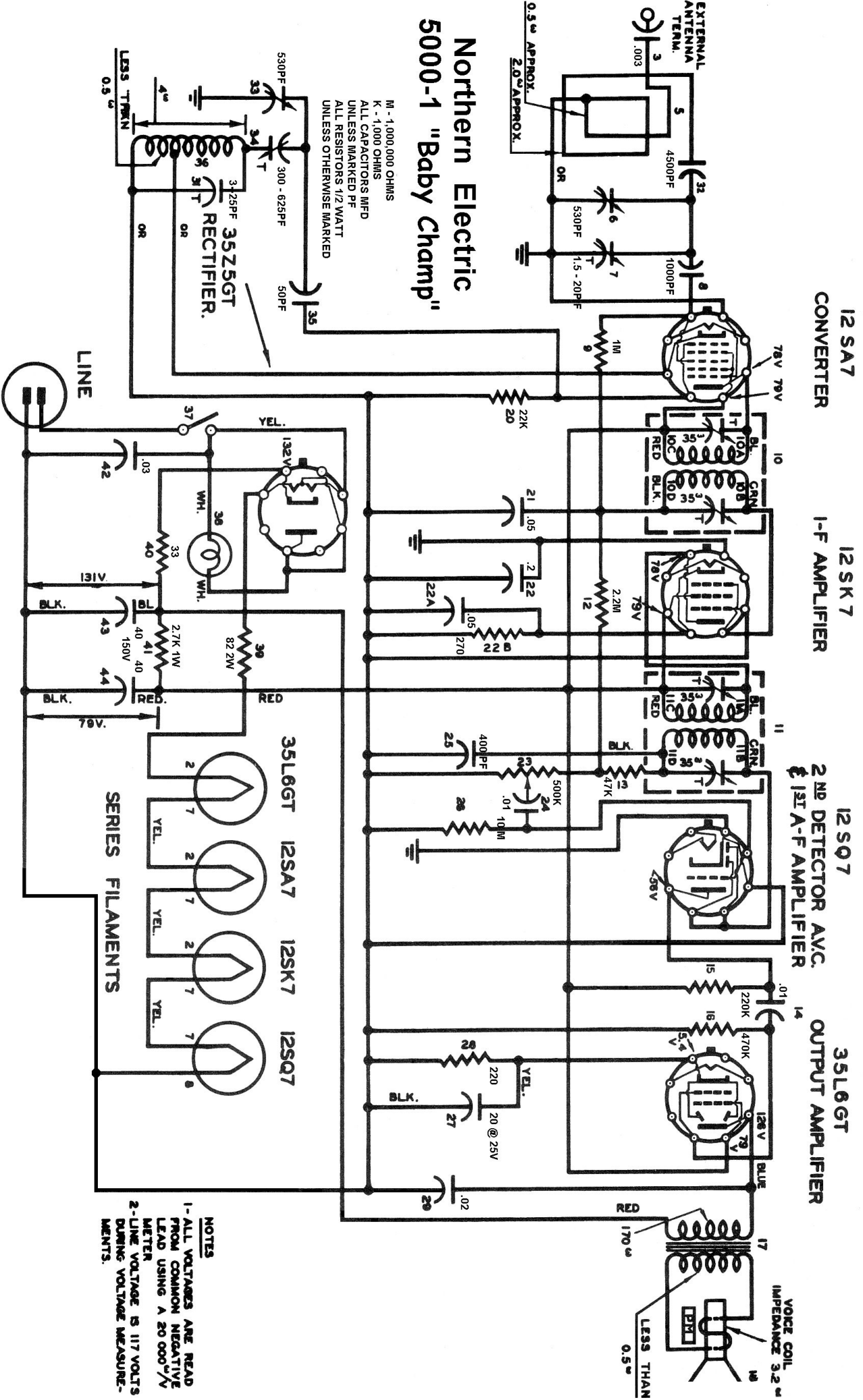


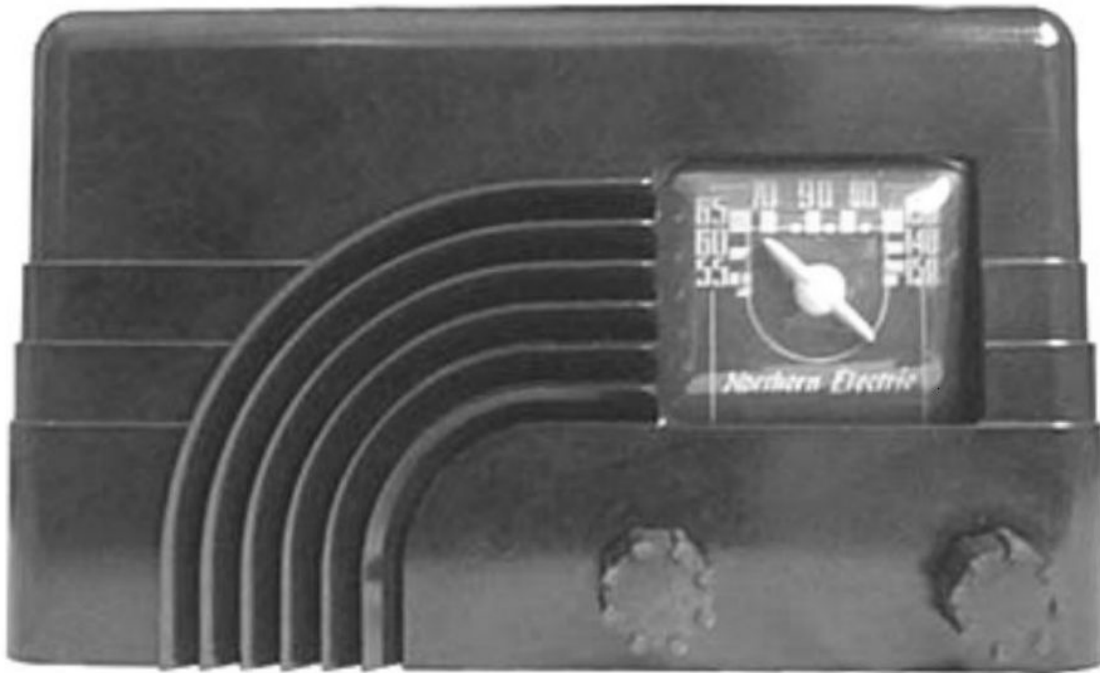
Northern Electric 5000-1 "Baby Champ"

M - 1,000,000 OHMS
K - 1,000 OHMS
ALL CAPACITORS MFD
UNLESS MARKED PF
ALL RESISTORS 1/2 WATT
UNLESS OTHERWISE MARKED



12 SA 7 CONVERTER
12 SK 7 I-F AMPLIFIER
12 SQ 7 2ND DETECTOR AVC.
1ST A-F AMPLIFIER
35 L6 GT OUTPUT AMPLIFIER

NOTES
1- ALL VOLTAGES ARE READ FROM COMMON NEGATIVE LEAD USING A 20 000 "V" METER
2- LINE VOLTAGE IS 117 VOLTS DURING VOLTAGE MEASUREMENTS.



I.F. Alignment

Connect the generator ground lead to the common negative return circuit in receiver. It remains in this position throughout test. Set the generator to 455 kilocycles. Connect generator high side through a 0.1 mfd. condenser to the 1st detector grid (pin #8 on 12SA7) and adjust items 10A, 10B, 11A, and 11B (on I.F. cans) for maximum output. Gang condenser should be open during I.F. alignment.

R.F. Alignment

Connect the generator ground lead to the common negative return. Use a 100 mmfd. capacitor in series with the high side of the signal generator and connect to the antenna terminal.

Set the signal generator and dial pointer to 1400 kilocycles and adjust the oscillator trimmer, item 31 (on free end of oscillator coil) for maximum output.

Adjust the antenna trimmer, item 7, (located on gang) for maximum output, rocking gang while doing so. Set the generator to 600 kilocycles and tune in the signal. Adjust oscillator lag, item 34, (located on fixed end of oscillator coil, under chassis) for maximum output. Recheck at 1400 kilocycles.

Northern Electric 5000-1