

# **IMPORTANT ANNOUNCEMENT!**

**concerning**

## *The New* **MILLER #585 KIT** **T.R.F. "Tubeless" HI-FI TUNER** (Band-Pass Circuit with Germanium Diode)

The circuit for the #585 Band Pass Tuner as shown on our **drawing B-58510** is designed to provide maximum selectivity and is satisfactory for use in areas having a great number of local broadcasting stations.

In rural localities and in areas having only a few local stations the **sensitivity** of the tuner may be greatly increased at a slight loss of selectivity. This may be accomplished quite easily by the addition of two 15 uuf fixed silver-ceramic condensers. Connect one of the 15 uuf condensers between terminals #1 and #3 of L<sub>1</sub>, the input coil #242-A. Connect the other 15 uuf condenser between terminals #1 and #3 of L<sub>2</sub>, the output coil #242-A.

This modification in no way detracts from the excellent high quality reception which is obtained with the #585 **Miller Band-Pass T.R.F. tuner.**

---

**LIST PRICE #585 FOUNDATION KIT . . . \$19.00**

---



Available from your JOBBER

or



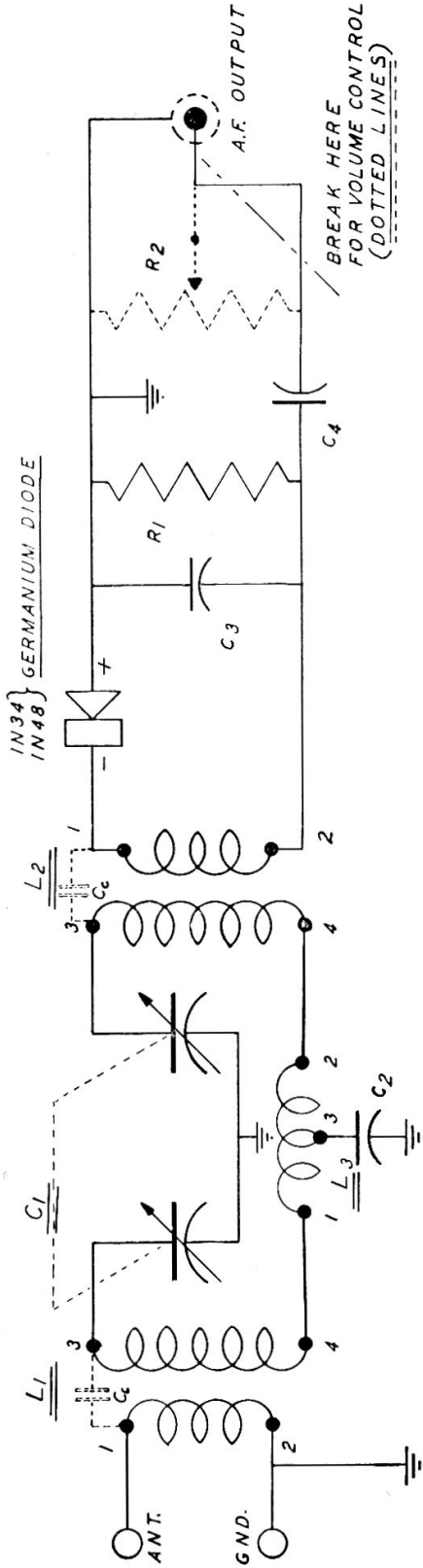
**J. W. MILLER COMPANY**

5917 S. Main Street, Los Angeles 3, California

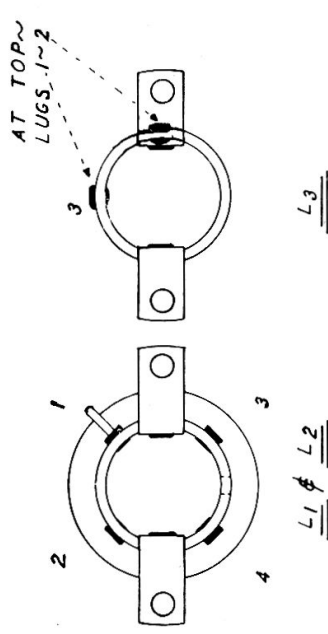


# BAND-PASS TUNER

540 - 1750 K.C.



- L1 #242-A COIL
- L2 #242-A COIL
- L3 #EL-55 COIL
- C1 #2112 2-GANG CONDENSER
- C2 .015 MFD. 200 VOLT
- C3 .00025 MFD. 200 VOLT
- C4 .05 MFD. 200 VOLT
- R1 100,000 Ω 1/2 WATT
- R2 500,000 Ω VOLUME CONTROL
- Cc 15 UUF CERAMIC CONDENSER



ITEM	DESCRIPTION	PART NO.
BROADCAST HI-FI TUNER ~ CRYSTAL DETECTOR ~		
ISSUE	USED ON: STOCK	585
A	DWG. BY: P.O.C.	DATE: 3-11-49
	APP. BY:	DATE:
J. W. MILLER CO. 5917 SO. MAIN LOS ANGELES, CALIF.		
SCALE: N.T.S. DWG. NO. B-58510		