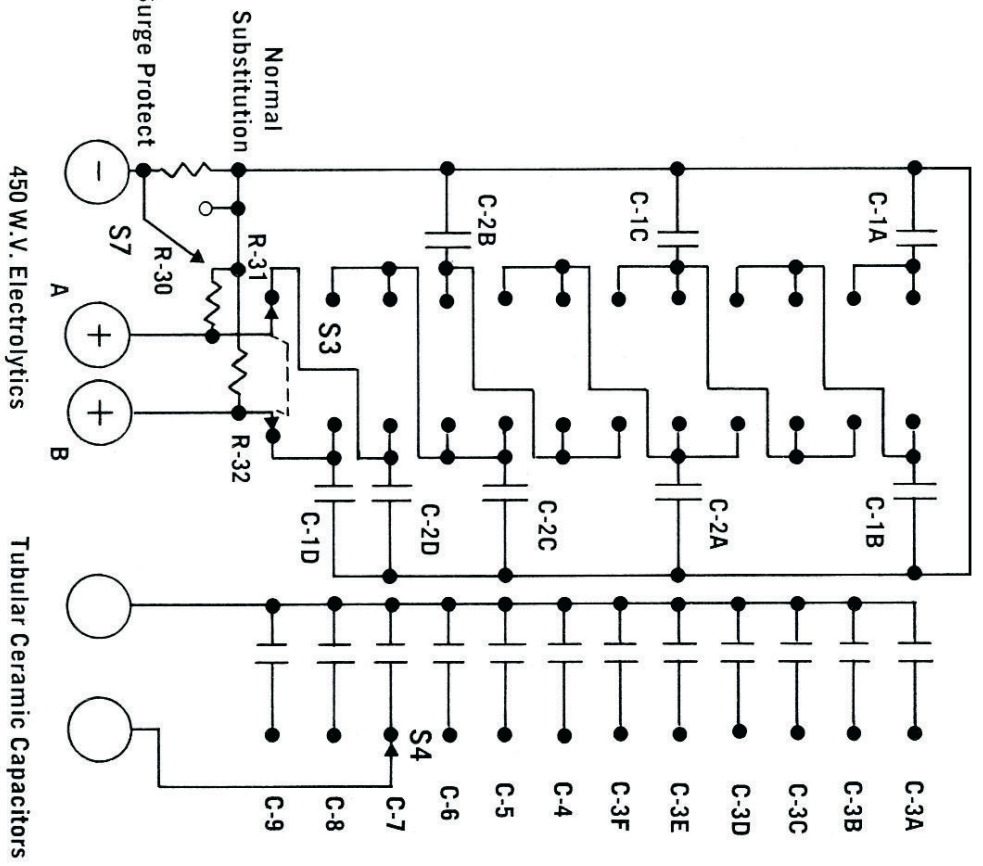
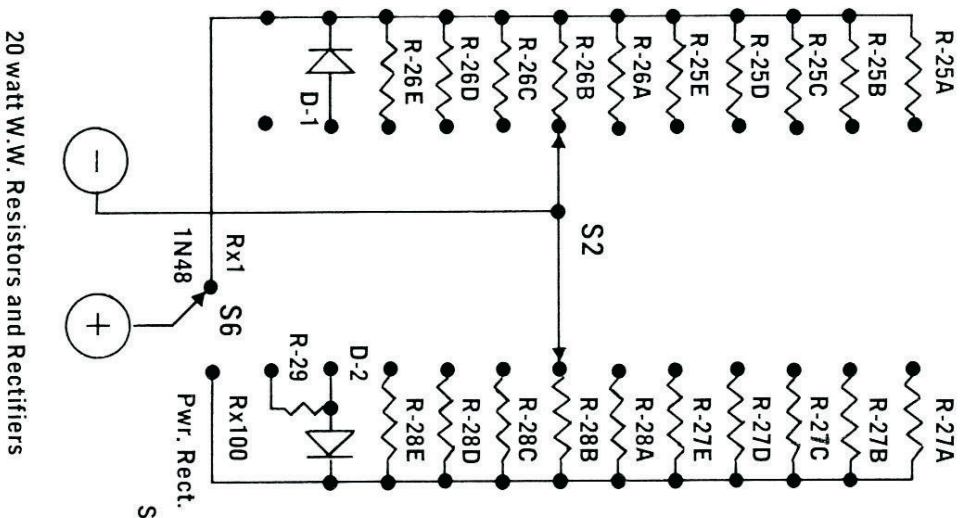
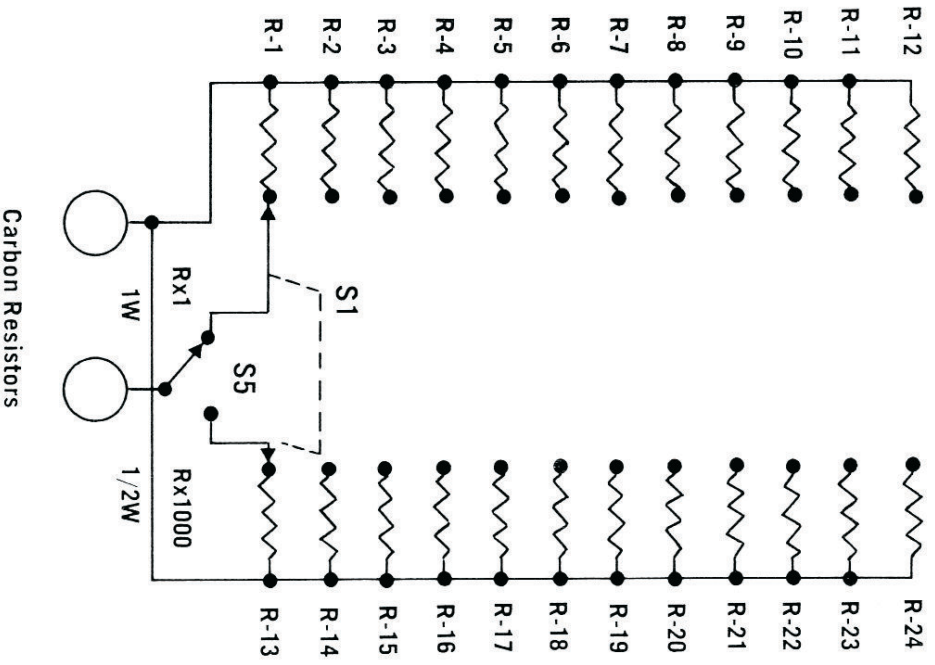


# MODEL 501 COMPONENT SUBSTITUTOR



## MODEL 501 ELECTRICAL PARTS LIST

| Symbol | Description                    |
|--------|--------------------------------|
| R-1    | 10 ohm, 1w, 10% resistor       |
| R-2    | 18 ohm, 1w, 10% resistor       |
| R-3    | 33 ohm, 1w, 10% resistor       |
| R-4    | 56 ohm, 1w, 10% resistor       |
| R-5    | 100 ohm, 1w, 10% resistor      |
| R-6    | 180 ohm, 1w, 10% resistor      |
| R-7    | 330 ohm, 1w, 10% resistor      |
| R-8    | 560 ohm, 1w, 10% resistor      |
| R-9    | 1000 ohm, 1w, 10% resistor     |
| R-10   | 1800 ohm, 1w, 10% resistor     |
| R-11   | 3300 ohm, 1w, 10% resistor     |
| R-12   | 5600 ohm, 1w, 10% resistor     |
| R-13   | 10K ohm, ½ w, 10% resistor     |
| R-14   | 18K ohm, ½ w, 10% resistor     |
| R-15   | 33K ohm, ½ w, 10% resistor     |
| R-16   | 56K ohm, ½ w, 10% resistor     |
| R-17   | 100K ohm, ½ w, 10% resistor    |
| R-18   | 180K ohm, ½ w, 10% resistor    |
| R-19   | 330K ohm, ½ w, 10% resistor    |
| R-20   | 560K ohm, ½ w, 10% resistor    |
| R-21   | 1M ohm, ½ w, 10% resistor      |
| R-22   | 1.8M ohm, ½ w, 10% resistor    |
| R-23   | 3.3M ohm, ½ w, 10% resistor    |
| R-24   | 5.6M ohm, ½ w, 10% resistor    |
| R-25   | 15 ohm, 20w, 4-sec. resistor   |
| R-26   | 150 ohm, 20w, 4-sec. resistor  |
| R-27   | 1.5K ohm, 20w, 4-sec. resistor |
| R-28   | 15K ohm, 20w, 4-sec. resistor  |
| R-29   | 47 ohm, 5w, resistor           |
| R-30   | 500 ohm, 5w, resistor          |
| R-31   | 330K ohm, 2w, resistor         |
| R-32   | 330K ohm, 2w, resistor         |

| Symbol | Description                                                  |
|--------|--------------------------------------------------------------|
| C-1    | 4-8-10-150 mfd, 450 Volt Electrolytic Condenser              |
| C-2    | 20-30-50-80 mfd, 450 Volt Electrolytic Condenser             |
| C-3    | .0001, .0005, .001, .0025, .005, .01 mfd, 600 Volt Condenser |
| C-4    | .015 mfd, 600 Volt Condenser                                 |
| C-5    | .02 mfd, 600 Volt Condenser                                  |
| C-6    | .05 mfd, 600 Volt Condenser                                  |
| C-7    | .1 mfd, 600 Volt Condenser                                   |
| C-8    | .22 mfd, 600 Volt Condenser                                  |
| C-9    | .5 mfd, 600 Volt Condenser                                   |
| D-1    | IN48 Crystal Diode                                           |
| D-2    | 750 ma, Power Rectifier                                      |
| S-1    | 2 Pole, 12 Position ROTARY Switch                            |
| S-2    | 2 Pole, 12 Position ROTARY Switch                            |
| S-3    | 2 Pole, 12 Position ROTARY Switch                            |
| S-4    | 1 Pole, 12 Position ROTARY Switch                            |
| S-5    | SPDT SLIDE Switch                                            |
| S-6    | SPDT SLIDE Switch                                            |
| S-7    | SPST SLIDE Switch                                            |