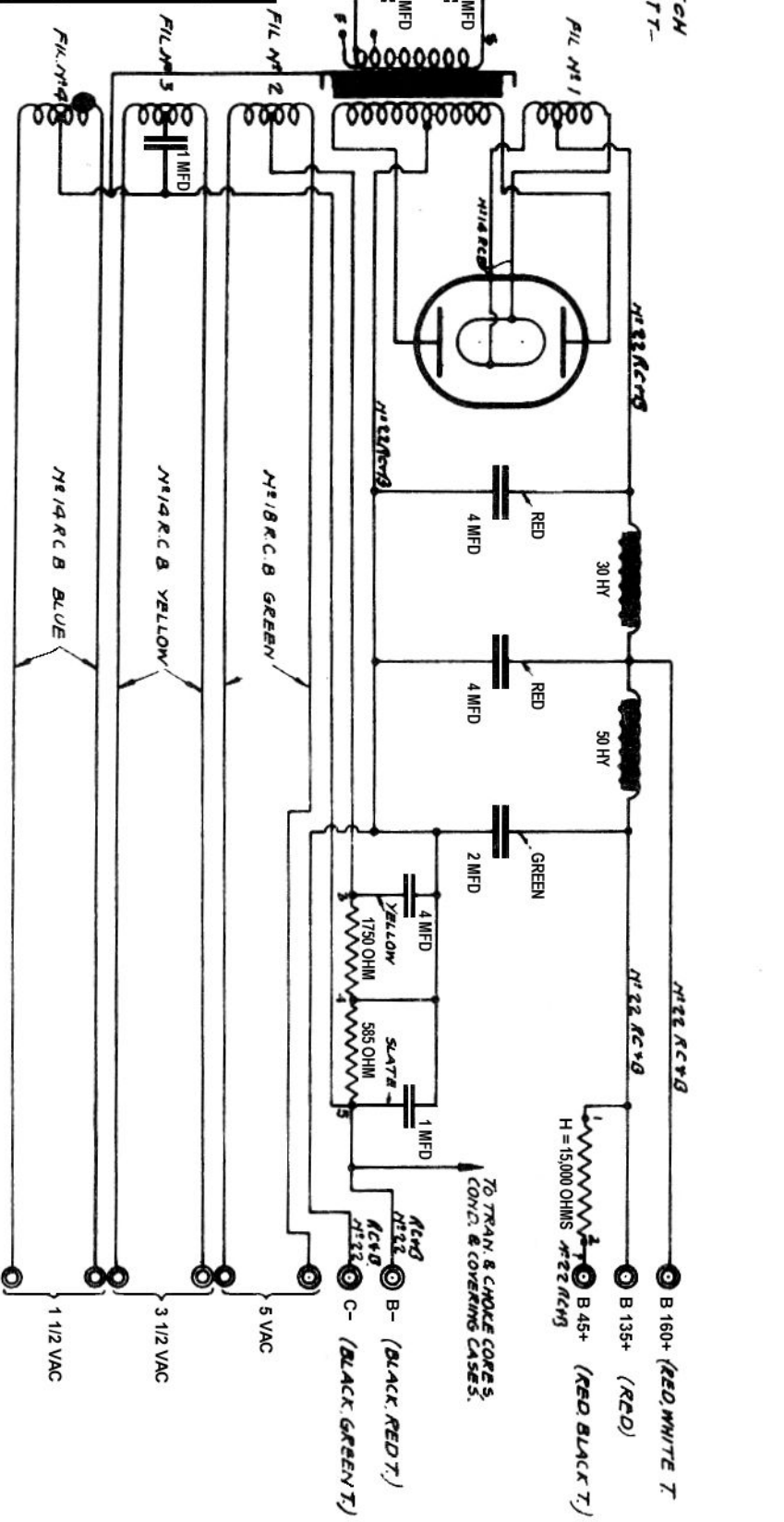


**DIAGRAM OF CONNECTIONS
MARCONI X
RECEIVER**

DRAWN BY M. J. M.
TRACED BY M. J. M.
CHECKED BY S. H. R.
Feb. 2011
pacifictv.ca
THE MARCONI WIRELESS TELEGRAPH CO.
OF CANADA, LIMITED

USED ON	REQ	TYPE NO
pacifictu.ca Feb. 2011 DIAGRAM OF CONNECTIONS POWER UNIT MARCONI X		
CANADIAN MARCONI COMPANY LIMITED.		
DR. M. J. M.	CK. G. M.	AP.
DATE:	AUG. 17 TH 1927.	



N°18 R.C.B. TWINPLEX BROWN WITH TWINBOUGHN SWITCH AND SPLIT PLUG PTT-RCH ED.

TO TRAN. & CHOKE CORES, COND. & COVERING CASES.