

Marconi Model 84 Alignment Instructions

VOLTAGE READINGS SOCKET PINS TO CHASSIS

	CAP	PIN 2	PIN 3	PIN 4	PIN 5	PIN 6	PIN 7	PIN 8
6K7 R.F. Amplifier	0.3	0	260	75	0	-	0	0
6A8 Pentagrid Converter	0.1	0	260	75	-7.5	75	-	-
6C5 Oscillator	-	0	175	-	-7.5	-	-	-
6K7 I.F. Amplifier	0	0	260	75	-	-	0	1.65
6H6 Diode Det. & AVC	-	0	-0.6	0	-0.6	-	0	0
6F5.1st A.F. Amp.	0.3	0	-	75	-	-	0	0
6F6 Output	-	0	255	260	0	-	0	18.5
6F6 Output	-	0	255	260	0	-	0	18.5
80 Rectifier	-	375 AC	375 AC	380	-	-	-	-

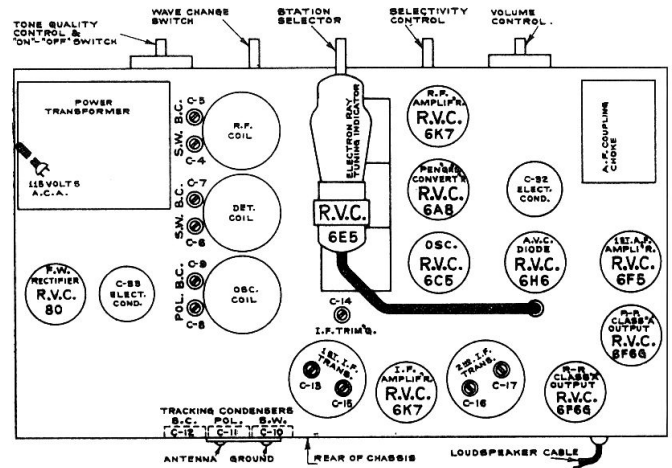
ALIGNMENT OF INTERMEDIATE FREQUENCY TRANSFORMERS

Set gang capacitor at minimum capacity, selectivity switch in sharp selectivity position i.e., to the right, and supply a modulated 462.5 KC signal from an oscillator to the control grid cap of the 6A8 converter tube through a 0.1 mfd. capacitor leaving the grid connector in place. Adjust in order C17, C16, C15 and C13 for maximum output. This operation should be checked to ascertain that maximum output has been obtained. Switch to broad selectivity i.e., to left and adjust C14.

The manual volume control should always be kept at maximum, and the signal from the test oscillator should be kept as low as possible. In any case the signal should not be of sufficient strength to bring the automatic volume control into operation.

ALIGNMENT OF BROADCAST BAND

- (1) Set gang capacitor at maximum capacity (plates meshed).
- (2) Set dial pointer in a horizontal position on the left hand side, i.e., midway between the two scales.
- (3) Rotate tuning knob until pointer is at 1500 KC.
- (4) Supply a 1500 KC signal from a test oscillator to the aerial and ground leads.
- (5) Adjust broadcast oscillator trimmer C9 to tune in the 1500 KC signal.
- (6) Adjust R.F. Trimmers C7 and C5 for maximum output.
- (7) Shift test oscillator to 580 KC.
- (8) Rotate the tuning capacitor until the 580 KC signal is reached.
- (9) Adjust broadcast oscillator tracking capacitor C12 while rocking the gang capacitor to and fro past the signal until the combination of adjustments giving the greatest reading of the output meter is obtained.
- (10) Recheck at 1500 KC.



ALIGNMENT OF POLICE BAND

- (1) Turn wave change switch to police band - centre position.
- (2) Rotate tuning knob until pointer is at 4800 KC marking on dial.
- (3) Supply a 4800 KC signal from test oscillator to the aerial and ground leads.
- (4) Adjust police band oscillator trimmer C8 while rocking the gang capacitor to and fro past the signal until the combination of adjustments giving the greatest reading of the output meter is obtained.
- (5) Shift test oscillator to 1720 KC.
- (6) Rotate tuning capacitor until 1720 KC signal is reached.
- (7) Adjust police band oscillator tracking capacitor C11 while rocking the gang capacitor to and fro past the signal until the combination of adjustments giving the greatest reading of the output meter is obtained.

ALIGNMENT OF SHORT WAVE BAND

- (1) Turn wave change switch to short wave band extreme left.
- (2) Rotate tuning knob until pointer is at 16 MC marking on dial.
- (3) Supply a 16 MC signal from test oscillator to aerial and ground leads.
- (4) Adjust short wave R.F. trimmers C6 and C4 for maximum output.
- (5) Shift test oscillator to 5600 KC.
- (6) Rotate tuning capacitor until 5600 KC signal is reached.
- (7) Adjust short wave oscillator tracking capacitor C10, while rocking the gang capacitor to and fro past the signal until the combination of adjustments giving the greatest reading of the output meter is obtained.
- (8) Recheck 16 MC alignment.